



# LED Designer Deco

## 26UFO/LED/850/FR/P/ND 4/1FB

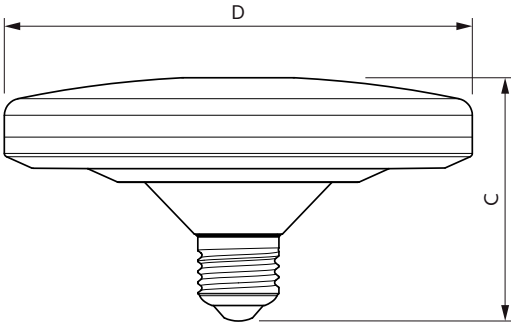
Philips LED Designer Deco lamps allow you to maintain a warm, classic light or a modern, chic effect while providing longer life and energy savings

### Product data

General Information	
Base	E26 [ Single Contact Medium Screw]
EU RoHS compliant	Yes
Nominal Lifetime (Nom)	15000 h
Switching Cycle	50000X
Technical Type	26-125W
Light Technical	
Color Code	850 [ CCT of 5000K]
Beam Angle (Nom)	120 °
Initial lumen (Nom)	2050 lm
Color Designation	Daylight
Correlated Color Temperature (Nom)	5000 K
Luminous Efficacy (rated) (Nom)	78.00 lm/W
Color Consistency	<6
Color Rendering Index (Nom)	80
LLMF At End Of Nominal Lifetime (Nom)	70 %
Operating and Electrical	
Input Frequency	50 to 60 Hz
Power (Rated) (Nom)	26 W
Lamp Current (Nom)	360 mA
Wattage Equivalent	125 W
Starting Time (Nom)	0.5 s
Warm Up Time to 60% Light (Nom)	0.5 s

Power Factor (Nom)	0.5
Voltage (Nom)	110-240 V
Temperature	
T-Case Maximum (Nom)	72 °C
Controls and Dimming	
Dimmable	No
Mechanical and Housing	
Bulb Finish	Frosted
Approval and Application	
Energy Efficiency Label (EEL)	Not applicable
Energy Consumption kWh/1000 h	- kWh
Product Data	
Order product name	26UFO/LED/850/FR/P/ND 4/1FB
EAN/UPC - Product	046677561642
Order code	561647
Numerator - Quantity Per Pack	1
Numerator - Packs per outer box	4
Material Nr. (12NC)	929002441203
Net Weight (Piece)	0.255 kg

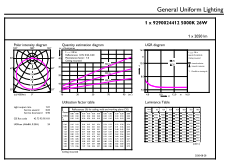
## Dimensional drawing



Bulb 220-240V 24-135W 2250lm 5000K E26

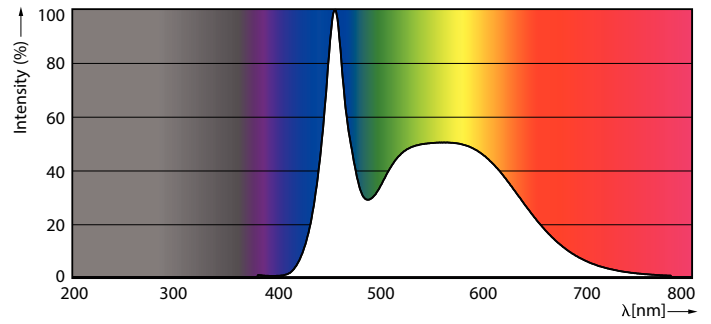
Product	D	C
26UFO/LED/850/FR/P/ND 4/1FB	200 mm	77 mm

## Photometric data

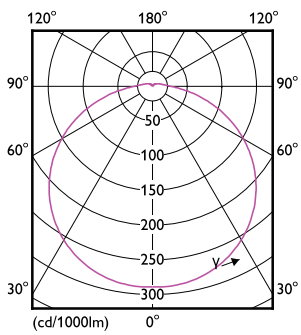


Global Performance Ltd. High Lighting Ltd. Page 11

LEDbulb UFO 26W Others E26 850 FR



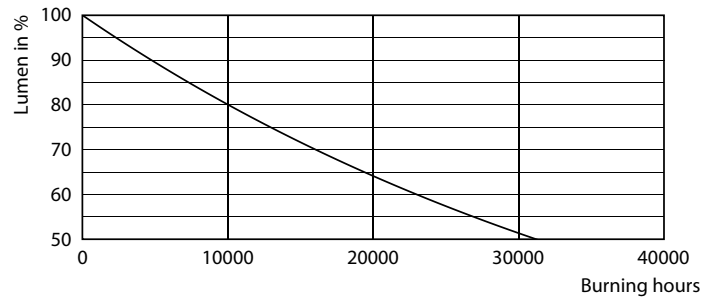
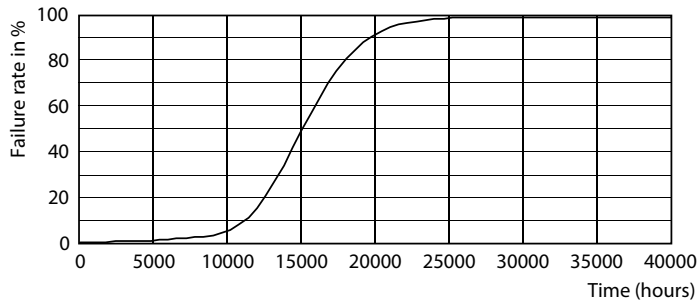
LEDbulb UFO 26W Others E26 850 FR



LEDbulb UFO 26W Others E26 850 FR

# LED Designer Deco

## Lifetime



15K LED

15K LMP

