



A-Shape LED

8.8A19/PER/930/P/GU24/DIM 6/1FB T20

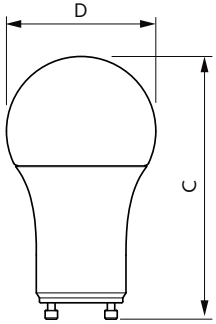
Philips A-shape Dimmable LED lamps are the smart LED alternative to standard incandescents. The unique lamp design provides omi-directional light with excellent dimming performance.

Product data

General Information		Warm Up Time to 60% Light (Nom)	
Base	GU24		0.5 s
EU RoHS compliant	Yes	Power Factor (Nom)	0.7
Nominal Lifetime (Nom)	15000 h	Voltage (Nom)	120 V
Switching Cycle	50000X	Temperature	
Technical Type	8.8-60W	T-Case Maximum (Nom)	90 °C
Light Technical		Controls and Dimming	
Color Code	930 [CCT of 3000K]	Dimmable	Yes
Beam Angle (Nom)	250 °	Mechanical and Housing	
Initial lumen (Nom)	800 lm	Bulb Finish	Frosted
Color Designation	White (WH)	Product Data	
Correlated Color Temperature (Nom)	3000 K	Order product name	8.8A19/PER/930/P/GU24/DIM 6/1FB T20
Luminous Efficacy (rated) (Nom)	90.00 lm/W	EAN/UPC - Product	046677557669
Color Consistency	<4	Order code	557660
Color Rendering Index (Nom)	90	Numerator - Quantity Per Pack	1
LLMF At End Of Nominal Lifetime (Nom)	70 %	Numerator - Packs per outer box	6
Operating and Electrical		Material Nr. (12NC)	929002327504
Input Frequency	60 Hz	Net Weight (Piece)	0.006 kg
Power (Rated) (Nom)	8.8 W		
Lamp Current (Nom)	80 mA		
Wattage Equivalent	60 W		
Starting Time (Nom)	0.5 s		

A-Shape LED

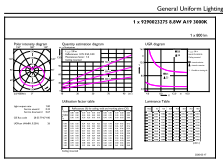
Dimensional drawing



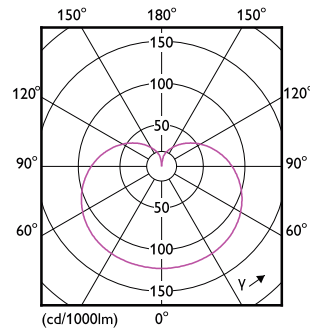
8.8A19/PER/930/P/GU24/DIM

Product	D	C
8.8A19/PER/930/P/GU24/DIM 6/1FB T20	60 mm	106 mm

Photometric data

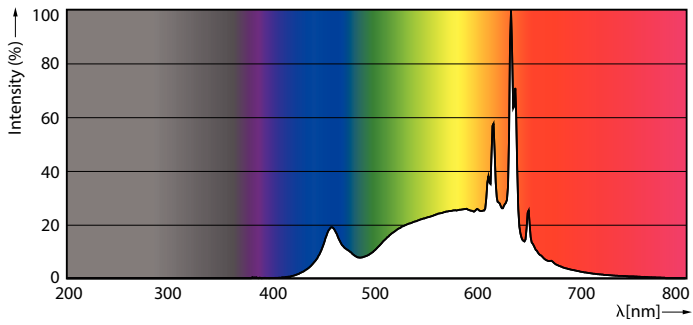


© 2020 Philips Lighting B.V. Page 11



LEDbulb 8,8W A19 GU24 930 FR

LEDbulb A19 GU24 800lm FR



LEDbulb 8,8W A19 GU24 930 FR

A-Shape LED

Lifetime



15K LED

15K LMP

