



A-Shape LED

10A19/LED/850/FR/P/ND 4/2FB

Philips A-shape Dimmable LED lamps are the smart LED alternative to standard incandescents. The unique lamp design provides omi-directional light with excellent dimming performance.

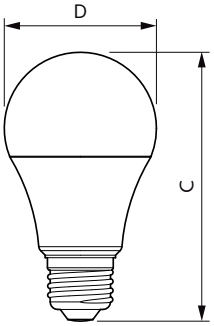
Product data

General Information	
Base	E26 [Single Contact Medium Screw]
EU RoHS compliant	Yes
Nominal Lifetime (Nom)	11000 h
Switching Cycle	50000X
Technical Type	10-75W
Light Technical	
Color Code	850 [CCT of 5000K]
Initial lumen (Nom)	1000 lm
Color Designation	Daylight
Correlated Color Temperature (Nom)	5000 K
Luminous Efficacy (rated) (Nom)	100.00 lm/W
Color Consistency	<6
Color Rendering Index (Nom)	80
LLMF At End Of Nominal Lifetime (Nom)	70 %
Operating and Electrical	
Input Frequency	60 Hz
Power (Rated) (Nom)	10 W
Lamp Current (Nom)	185 mA
Wattage Equivalent	75 W
Starting Time (Nom)	0.5 s

Warm Up Time to 60% Light (Nom)	0.5 s
Power Factor (Nom)	0.5
Voltage (Nom)	120 V
Temperature	
T-Case Maximum (Nom)	95 °C
Controls and Dimming	
Dimmable	No
Mechanical and Housing	
Bulb Finish	Frosted
Product Data	
Order product name	10A19/LED/850/FR/P/ND 4/2FB
EAN/UPC - Product	50046677463002
Order code	463000
Numerator - Quantity Per Pack	1
Numerator - Packs per outer box	4
Material Nr. (12NC)	929002311603
Net Weight (Piece)	0.042 kg

A-Shape LED

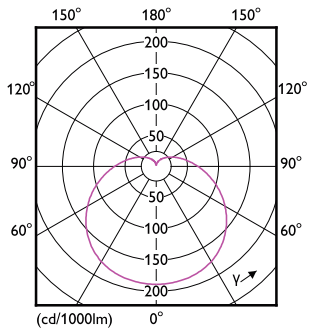
Dimensional drawing



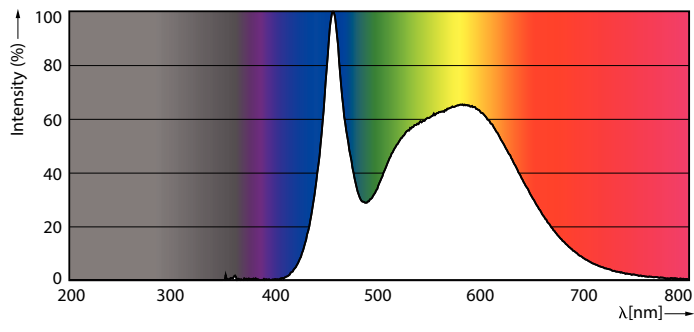
Bulb A60 LV 10-W 1000lm 5000K E26 ND FR

Product	D	C
10A19/LED/850/FR/P/ND 4/2FB	60 mm	106 mm

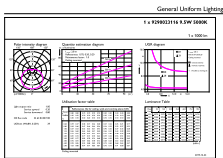
Photometric data



LEDbulbE A19 E26 1000lm FR



LEDbulbE 10W A19 E26 850 FR



LEDbulbE 10W A19 E26 850 FR

A-Shape LED

Lifetime



15K LED

15K LMP

