



LED G25

5.5G25/PER/950/FR/G/E26/DIM 1FBT20

Philips G25 LED Lamps offer energy saving ambience with an elegant effect. Their unique design provides light in all directions, giving lighting designers a long life alternative to standard incandescent sources.

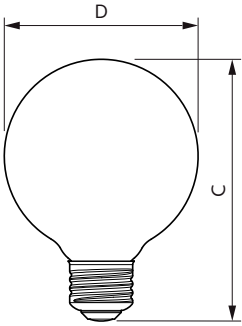
Product data

| General Information | |
|---------------------------------------|------------------------------------|
| Base | E26 [Single Contact Medium Screw] |
| EU RoHS compliant | Yes |
| Nominal Lifetime (Nom) | 15000 h |
| Switching Cycle | 20000X |
| Technical Type | 5.5-60W |
| Light Technical | |
| Color Code | 950 [CCT of 5000K] |
| Initial lumen (Nom) | 500 lm |
| Color Designation | Daylight |
| Correlated Color Temperature (Nom) | 5000 K |
| Luminous Efficacy (rated) (Nom) | 90.00 lm/W |
| Color Consistency | <4 |
| Color Rendering Index (Nom) | 90 |
| LLMF At End Of Nominal Lifetime (Nom) | 0.7 % |
| Operating and Electrical | |
| Input Frequency | 60 Hz |
| Power (Rated) (Nom) | 5.5 W |
| Lamp Current (Nom) | 60 mA |
| Wattage Equivalent | 60 W |
| Starting Time (Nom) | 0.5 s |
| Warm Up Time to 60% Light (Nom) | 0.5 s |

| Power Factor (Nom) | 0.7 |
|---------------------------------|------------------------------------|
| Voltage (Nom) | 120 V |
| Temperature | |
| T-Case Maximum (Nom) | 60 °C |
| Controls and Dimming | |
| Dimmable | Yes |
| Mechanical and Housing | |
| Bulb Finish | Frosted |
| Approval and Application | |
| Energy Efficiency Label (EEL) | Not applicable |
| Energy Consumption kWh/1000 h | - kWh |
| Product Data | |
| Order product name | 5.5G25/PER/950/FR/G/E26/DIM 1FBT20 |
| EAN/UPC - Product | 046677549213 |
| Order code | 549212 |
| Numerator - Quantity Per Pack | 1 |
| Numerator - Packs per outer box | 10 |
| Material Nr. (12NC) | 929002207004 |
| Net Weight (Piece) | 0.040 kg |

LED G25

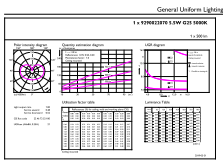
Dimensional drawing



Candle G25 120V 5.5-60W500lm5000KE26DFR

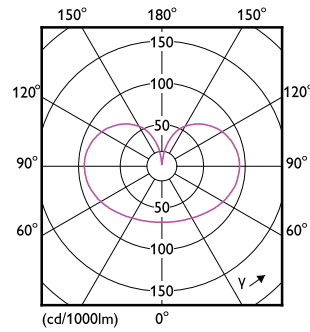
| Product | D | C |
|------------------------------------|-------|--------|
| 5.5G25/PER/950/FR/G/E26/DIM 1FBT20 | 80 mm | 111 mm |

Photometric data

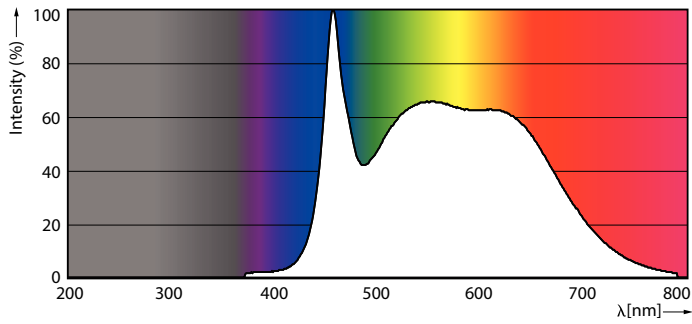


©2019 Phosconics LLC. All Rights Reserved. Page 11

LEDbulb 60W E26 G25 950 FR



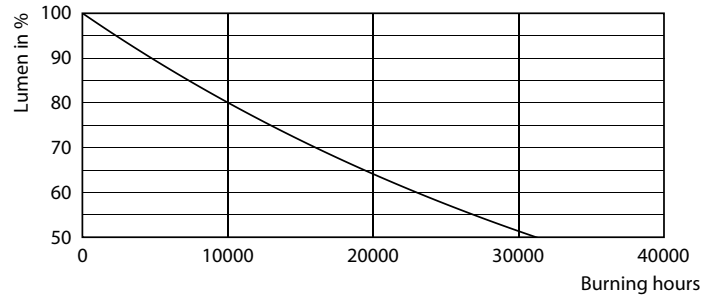
LEDbulb 40,60W E26 950 CL,FR



LEDbulb 40,60W E26 950

LED G25

Lifetime



15K LED

15K LMP

