



LED G25

5.5G25/PER/950/CL/G/E26/DIM 1FBT20

Philips G25 LED Lamps offer energy saving ambience with an elegant effect. Their unique design provides light in all directions, giving lighting designers a long life alternative to standard incandescent sources.

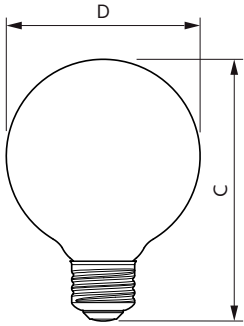
Product data

General Information	
Base	E26 [Single Contact Medium Screw]
EU RoHS compliant	Yes
Nominal Lifetime (Nom)	15000 h
Switching Cycle	20000X
Technical Type	5.5-60W
Light Technical	
Color Code	950 [CCT of 5000K]
Initial lumen (Nom)	500 lm
Color Designation	Daylight
Correlated Color Temperature (Nom)	5000 K
Luminous Efficacy (rated) (Nom)	90.00 lm/W
Color Consistency	<4
Color Rendering Index (Nom)	90
LLMF At End Of Nominal Lifetime (Nom)	0.7 %
Operating and Electrical	
Input Frequency	60 Hz
Power (Rated) (Nom)	5.5 W
Lamp Current (Nom)	60 mA
Wattage Equivalent	60 W
Starting Time (Nom)	0.5 s
Warm Up Time to 60% Light (Nom)	0.5 s

Power Factor (Nom)	0.7
Voltage (Nom)	120 V
Temperature	
T-Case Maximum (Nom)	60 °C
Controls and Dimming	
Dimmable	Yes
Mechanical and Housing	
Bulb Finish	Clear
Approval and Application	
Energy Efficiency Label (EEL)	Not applicable
Energy Consumption kWh/1000 h	- kWh
Product Data	
Order product name	5.5G25/PER/950/CL/G/E26/DIM 1FBT20
EAN/UPC - Product	046677549190
Order code	549196
Numerator - Quantity Per Pack	1
Numerator - Packs per outer box	10
Material Nr. (12NC)	929002206804
Net Weight (Piece)	0.040 kg

LED G25

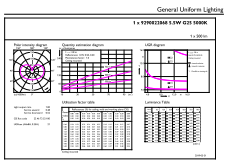
Dimensional drawing



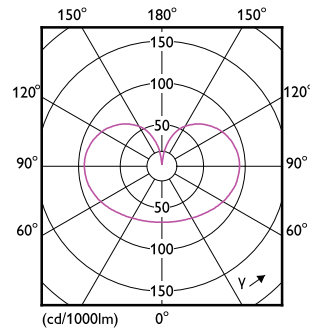
Candle G25 120V 5.5-60W500lm5000KE26DCL

Product	D	C
5.5G25/PER/950/CL/G/E26/DIM 1FBT20	80 mm	111 mm

Photometric data

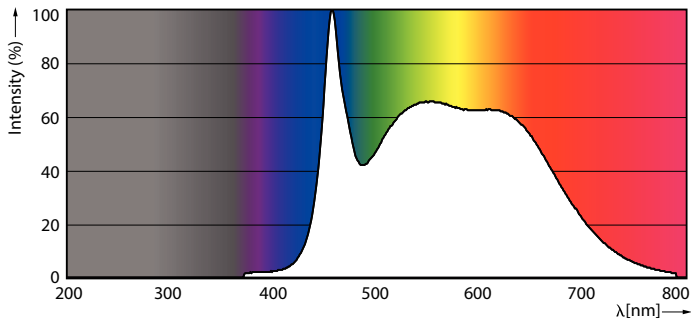


© 2019 Philips Lighting B.V. Page 1/1



LEDbulb 60W E26 G25 950 CL

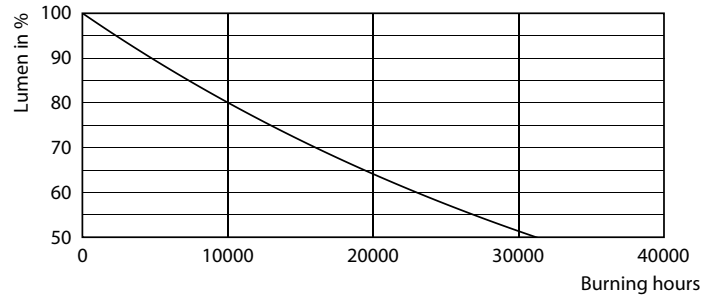
LEDbulb 40,60W E26 950 CL,FR



LEDbulb 40,60W E26 950

LED G25

Lifetime



15K LED

15K LMP

