



LED G25

3.8G25/PER/950/CL/G/E26/DIM 1FBT20

Philips G25 LED Lamps offer energy saving ambience with an elegant effect. Their unique design provides light in all directions, giving lighting designers a long life alternative to standard incandescent sources.

Product data

General Information	
Base	E26 [Single Contact Medium Screw]
EU RoHS compliant	Yes
Nominal Lifetime (Nom)	15000 h
Switching Cycle	20000X
Technical Type	3.8-40W

Light Technical	
Color Code	950 [CCT of 5000K]
Initial lumen (Nom)	350 lm
Color Designation	Daylight
Correlated Color Temperature (Nom)	5000 K
Luminous Efficacy (rated) (Nom)	92.00 lm/W
Color Consistency	<4
Color Rendering Index (Nom)	90
LLMF At End Of Nominal Lifetime (Nom)	0.7 %

Operating and Electrical	
Input Frequency	60 Hz
Power (Rated) (Nom)	3.8 W
Lamp Current (Nom)	44 mA
Wattage Equivalent	40 W
Starting Time (Nom)	0.5 s
Warm Up Time to 60% Light (Nom)	0.5 s

Power Factor (Nom)	0.7
Voltage (Nom)	120 V

Temperature	
T-Case Maximum (Nom)	50 °C

Controls and Dimming	
Dimmable	Yes

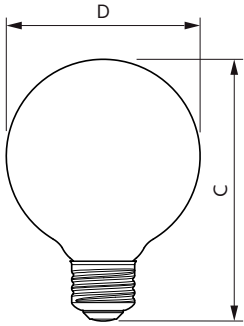
Mechanical and Housing	
Bulb Finish	Clear

Approval and Application	
Energy Efficiency Label (EEL)	Not applicable
Energy Consumption kWh/1000 h	- kWh

Product Data	
Order product name	3.8G25/PER/950/CL/G/E26/DIM 1FBT20
EAN/UPC - Product	046677549183
Order code	549188
Numerator - Quantity Per Pack	1
Numerator - Packs per outer box	10
Material Nr. (12NC)	929002206704
Net Weight (Piece)	0.040 kg

LED G25

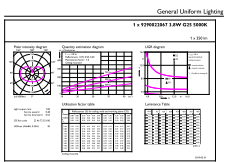
Dimensional drawing



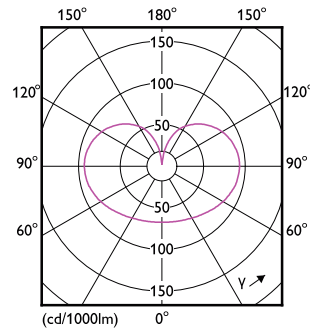
Candle G25 120V3.8-40W350lm5000KE26DCL

Product	D	C
3.8G25/PER/950/CL/G/E26/DIM 1FBT20	80 mm	111 mm

Photometric data

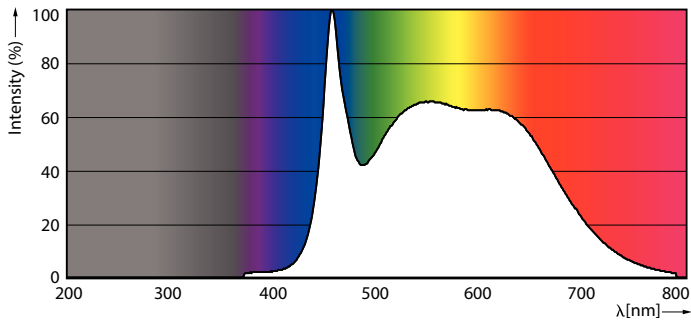


© Global Illumination Ltd. Page 11



LEDbulb 40W E26 G25 950 CL

LEDbulb 40,60W E26 950 CL,FR



LEDbulb 40,60W E26 950

LED G25

Lifetime



15K LED

15K LMP

