



# LED PAR30 S/L

## 12PAR30S/MAS/927/F40/DIM/EC/120V B 6/1FB

Philips LED spots with a single optic beam, provide a clean beam that's free from shadows with beam angles from 15 and 40 degrees to suit every general lighting application.

### Product data

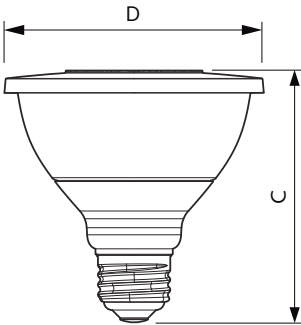
General Information	
Base	E26 [ Single Contact Medium Screw]
EU RoHS compliant	Yes
Nominal Lifetime (Nom)	40000 h
Switching Cycle	50000X
Technical Type	12-75W
Light Technical	
Color Code	927
Beam Angle (Nom)	40 °
Initial lumen (Nom)	850 lm
Luminous Intensity (Nom)	1315 cd
Color Designation	Warm White (WW)
Correlated Color Temperature (Nom)	2700 K
Luminous Efficacy (rated) (Nom)	70.00 lm/W
Color Consistency	<6
Color Rendering Index (Nom)	95
LLMF At End Of Nominal Lifetime (Nom)	70 %
Operating and Electrical	
Input Frequency	60 Hz
Power (Rated) (Nom)	12 W
Lamp Current (Nom)	120 mA
Wattage Equivalent	75 W

Starting Time (Nom)	0.5 s
Warm Up Time to 60% Light (Nom)	0.5 s
Power Factor (Nom)	0.9
Voltage (Nom)	120 V
Temperature	
T-Case Maximum (Nom)	90 °C
Controls and Dimming	
Dimmable	Yes
Approval and Application	
Energy Efficiency Label (EEL)	Not applicable
Suitable For Accent Lighting	Yes
Energy Consumption kWh/1000 h	- kWh
Product Data	
Order product name	12PAR30S/MAS/927/F40/DIM/EC/120V B 6/1FB
EAN/UPC - Product	046677547684
Order code	547687
Numerator - Quantity Per Pack	1
Numerator - Packs per outer box	6
Material Nr. (12NC)	929002092104

# LED PAR30 S/L

Net Weight (Piece) 0.220 kg

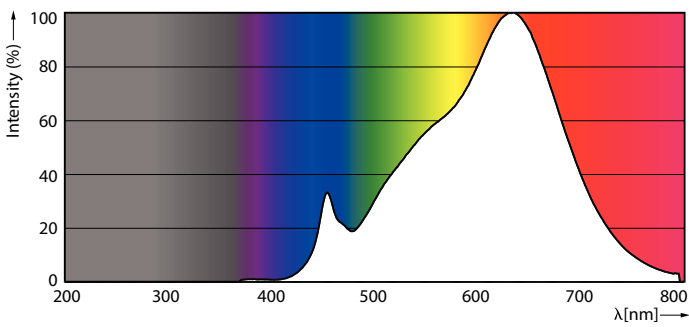
## Dimensional drawing



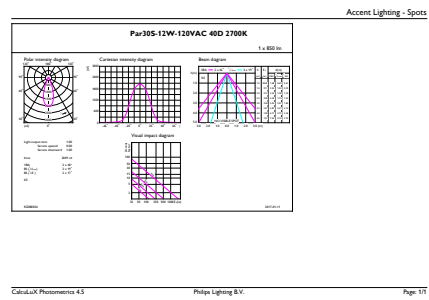
Black PAR30s 12-75W 850lm 2700K E26 D

Product	D	C
12PAR30S/MAS/927/F40/DIM/EC/120V B 6/1FB	94.8 mm	93.1 mm

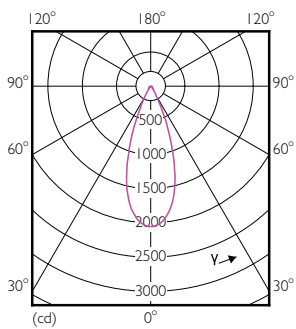
## Photometric data



PAR38 120V 17-90W 1150lm 8D 2700K E26 D



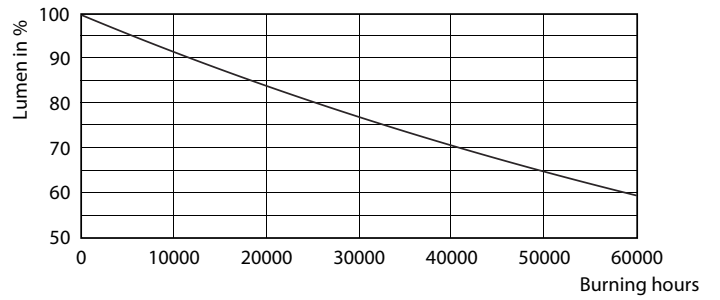
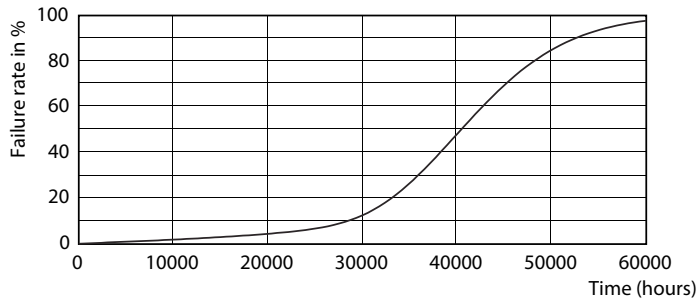
PAR30S 12-90W 850lm 40D 2700K E26 D



PAR30S 12W 850lm 40D 2700K E26

# LED PAR30 S/L

## Lifetime



ExpertColor PAR38 30S 30L Dim 120V Life Expectancy Diagram

ExpertColor PAR38 30S 30L Dim 120V Lumen Maintenance Diagram

