



LED MR16

6.5MR16/LED/F25/927/D/EC/12V T20 10/1FB

Philips LED MR-16 lamps with single optic technology provide the look and color quality of traditional halogens while using a fraction of the energy. A perfect fit for spot lighting, they are compatible with most existing fixtures with MR16 GU5.3 holders and are designed as a retrofit replacement for halogen or incandescent spots.

Product data

General Information	
Base	GU5.3 [GU5.3]
EU RoHS compliant	Yes
Nominal Lifetime (Nom)	25000 h
Switching Cycle	50000X
Technical Type	6.5-42W
Light Technical	
Color Code	927
Beam Angle (Nom)	25°
Initial lumen (Nom)	485 lm
Luminous Intensity (Nom)	1960 cd
Color Designation	Warm White (WW)
Correlated Color Temperature (Nom)	2700 K
Luminous Efficacy (rated) (Nom)	74.00 lm/W
Color Consistency	<3
Color Rendering Index (Nom)	91
LLMF At End Of Nominal Lifetime (Nom)	70 %
Operating and Electrical	
Input Frequency	- Hz
Power (Rated) (Nom)	6.5 W

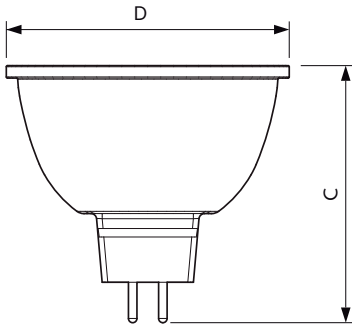
Lamp Current (Nom)	700 mA
Wattage Equivalent	42 W
Starting Time (Nom)	0.5 s
Warm Up Time to 60% Light (Nom)	0.5 s
Power Factor (Nom)	0.8
Voltage (Nom)	ac electronic 12 V
Temperature	
T-Case Maximum (Nom)	92 °C
Controls and Dimming	
Dimmable	Yes
Approval and Application	
Energy Efficiency Label (EEL)	Not applicable
Suitable For Accent Lighting	Yes
Energy Consumption kWh/1000 h	- kWh
Product Data	
Order product name	6.5MR16/LED/F25/927/D/EC/12V T20 10/1FB
EAN/UPC - Product	046677479138
Order code	479139

LED MR16

Numerator - Quantity Per Pack	1
Numerator - Packs per outer box	10
Material Nr. (12NC)	929001854304

Net Weight (Piece)	0.056 kg
--------------------	----------

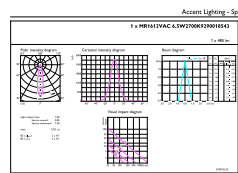
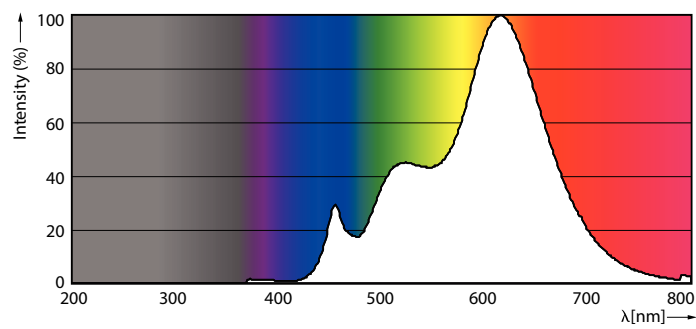
Dimensional drawing



MR16 12V 6.3-42W 25D 2700K GU5.3 D 25khr

Product	D	C
6.5MR16/LED/F25/927/D/EC/12V T20 10/1FB	50.5 mm	46 mm

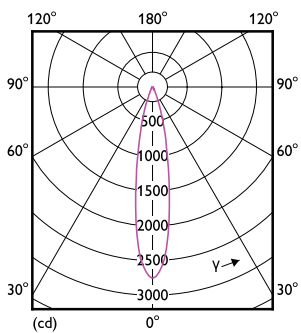
Photometric data



©2010 Philips Lighting B.V. Page 11

LEDspot 6.5W GU5.3 MR16 927 25-35D DIM

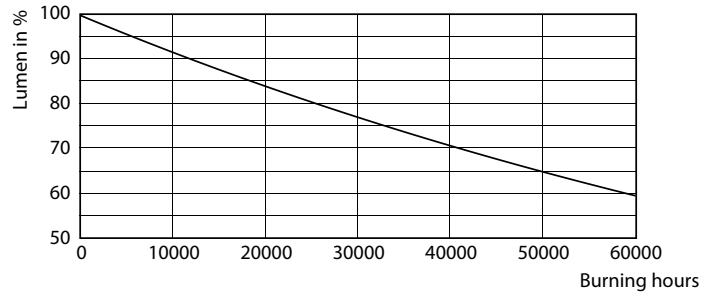
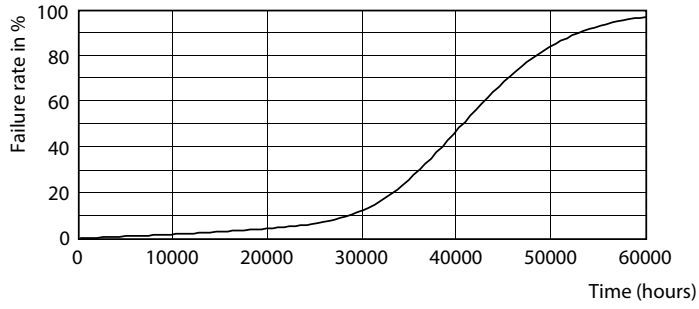
LEDspot 6.5W GU5.3 MR16 927 25D DIM



LEDspot 6.5W GU5.3 MR16 927 25D DIM

LED MR16

Lifetime



LEDspot 6.5W GU5.3 MR16 927 25D DIM

LEDspot 6.5W GU5.3 MR16 927 25D DIM

