



LED PAR30 S/L

12PAR30S/EXPERTCOLOR RETAIL/F25/930/DIMB

Philips LED spots with a single optic beam, provide a clean beam that's free from shadows with beam angles from 15 and 40 degrees to suit every general lighting application.

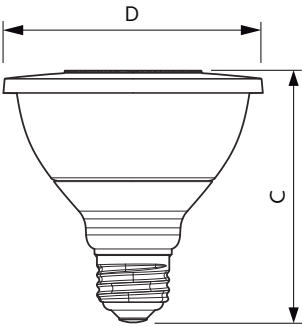
Product data

General Information		Wattage Equivalent	
Base	E26 [Single Contact Medium Screw]	Wattage Equivalent	75 W
EU RoHS compliant	Yes	Starting Time (Nom)	0.5 s
Nominal Lifetime (Nom)	25000 h	Warm Up Time to 60% Light (Nom)	0.5 s
Switching Cycle	50000X	Power Factor (Nom)	0.9
Technical Type	12-75W	Voltage (Nom)	120 V
Light Technical		Temperature	
Color Code	930 [CCT of 3000K]	T-Case Maximum (Nom)	90 °C
Beam Angle (Nom)	25 °	Controls and Dimming	
Initial lumen (Nom)	880 lm	Dimmable	Yes
Luminous Intensity (Nom)	4500 cd	Approval and Application	
Color Designation	White (WH)	Energy Efficiency Label (EEL)	Not applicable
Correlated Color Temperature (Nom)	3000 K	Suitable For Accent Lighting	Yes
Luminous Efficacy (rated) (Nom)	73 lm/W	Energy Consumption kWh/1000 h	- kWh
Color Consistency	<6	Product Data	
Color Rendering Index (Nom)	90	Order product name	12PAR30S/EXPERTCOLOR RETAIL/F25/930/DIMB
LLMF At End Of Nominal Lifetime (Nom)	70 %	EAN/UPC - Product	046677471095
Operating and Electrical		Order code	471094
Input Frequency	60 Hz	Numerator - Quantity Per Pack	1
Power (Rated) (Nom)	12 W		
Lamp Current (Nom)	120 mA		

LED PAR30 S/L

Numerator - Packs per outer box	6
Material Nr. (12NC)	929001286204
Net Weight (Piece)	0.220 kg

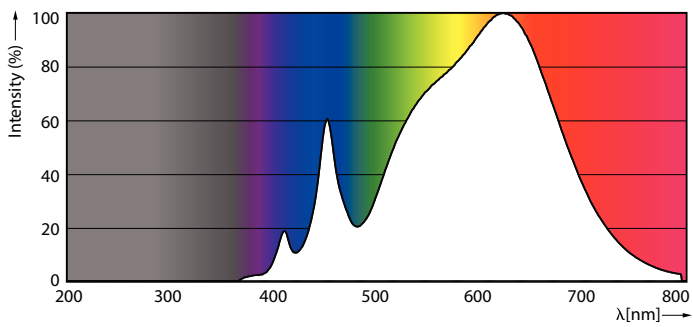
Dimensional drawing



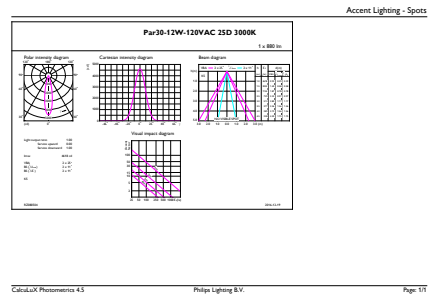
PAR30S 120V 12-75W 25D 3000K E26 D BL

Product	D	C
12PAR30S/EXPERTCOLOR RETAIL/F25/930/DIMB	94.8 mm	93.1 mm

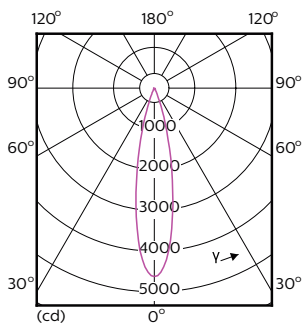
Photometric data



PAR38 120V 17-90W 1200lm 8D 3000K E26 D



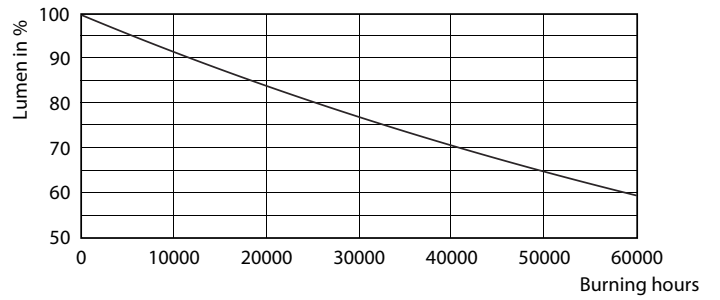
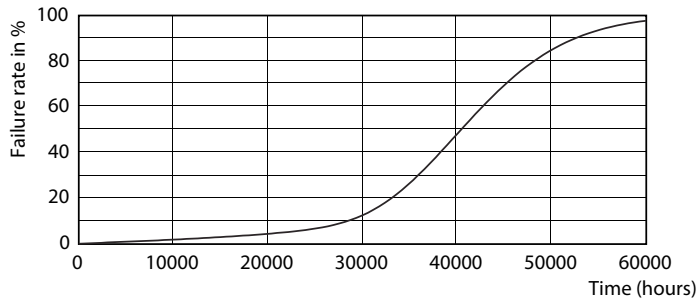
PAR30S 120V 12-75W 25D 3000K E26 D BL



PAR30S 120V 12-75W 25D 3000K E26 D BL

LED PAR30 S/L

Lifetime



ExpertColor PAR38 30S 30L Dim 120V Life Expectancy Diagram

ExpertColor PAR38 30S 30L Dim 120V Lumen Maintenance Diagram

