



MasterColor CDM-Tm Elite Mini GU6.5

MASTERColor CDM-Tm Elite Mini 35W/930 GU6.5

The Mini MasterColor CDM-Tm is ideal for smaller luminaires, perfect for a minimalist design. The Mini MasterColor lamp and ballast system lasts longer than standard halogen PAR38 lamps and consumes less energy. The 'system' includes the MiniMasterColor 3000K lamp, the eVision electronic ballast and a twist & lock lamp base. This system design is ideal for accent and display lighting in specialty retail and architectural outdoor applications.

Warnings and Safety

- R "WARNING: These lamps can cause serious skin burn and eye inflammation from short wave ultraviolet radiation if outer envelope of the lamp is broken or punctured. Do not use where people will remain for more than a few minutes unless adequate shielding or other safety precautions are used. Certain lamps that will automatically extinguish when the outer envelope is broken or punctured are commercially available." This lamp complies with FDA radiation performance standard 21 CFR subchapter J. (USA:21 CFR 1040.30 Canada: SOR/DORS/80-381)
- Lamp contains mercury. Manage in Accord with Disposal Laws. See: www.lamprecycle.org or 1-800-555-0050

Product data

General Information		Luminous Flux (Rated) (Min)	
Base	GU6.5 [GU6.5]	Luminous Flux (Rated) (Nom)	3600 lm
Operating Position	Universal [Universal]	Luminous Flux (Rated) (Nom)	4000 lm
Life to 5% Failures (Nom)	12000 h	Color Designation	Warm White (WW)
Life To 10% Failures (Nom)	14000 h	Lumen Maintenance 1000 h (Nom)	95 %
Life to 20% Failures (Nom)	16000 h	Lumen Maintenance 12000 h (Nom)	80 %
Life to 50% Failures (Nom)	20000 h	Lumen Maintenance 2000 h (Nom)	93 %
ANSI Code HID	C130/E	Lumen Maintenance 4000 h (Nom)	90 %
Light Technical		Chromaticity Coordinate X (Nom)	0.435
Color Code	930 [CCT of 3000K]	Chromaticity Coordinate Y (Nom)	0.396
		Correlated Color Temperature (Nom)	3000 K
		Luminous Efficacy (rated) (Nom)	102 lm/W

MasterColor CDM-Tm Elite Mini GU6.5

Color Rendering Index (Min)	87
Color Rendering Index (Nom)	90

Operating and Electrical

Power (Rated) (Nom)	39.1 W
Lamp Current Run-Up (Max)	1 A
Re-Ignition Time (Min) (Max)	15 min
Ignition Time (Max)	30 s
Voltage (Max)	95 V
Voltage (Min)	79 V
Voltage (Nom)	87 V

Controls and Dimming

Dimmable	No
Run-Up Time 90% (Max)	3 min

Mechanical and Housing

Bulb Finish	Clear
-------------	-------

Approval and Application

Energy Efficiency Label (EEL)	A+
Mercury (Hg) Content (Nom)	4.7 mg

Energy Consumption kWh/1000 h	43 kWh
-------------------------------	--------

UV

Pet (Niosh) (Min)	8 h/500lx
Damage Factor D/fc (Max)	0.4

Luminaire Design Requirements

Bulb Temperature (Max)	450 °C
Cap-Base Temperature (Max)	250 °C

Product Data

Order product name	MASTERColor CDM-Tm Elite Mini 35W/930 GU6.5
EAN/UPC - Product	046677418793
Order code	418798
Numerator - Quantity Per Pack	1
Numerator - Packs per outer box	12
Material Nr. (12NC)	928187405115
Net Weight (Piece)	0.008 kg
ILCOS Code	MT/UB-35/930-H-GU6.5-13.3/52

Dimensional drawing

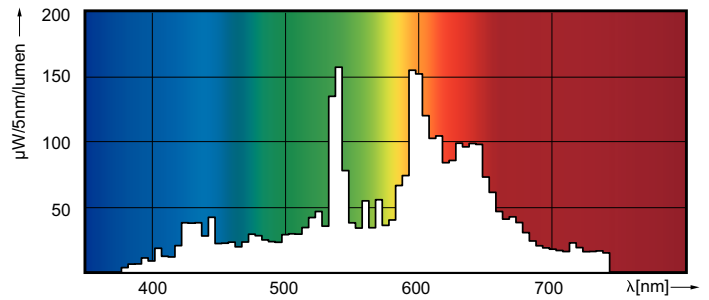
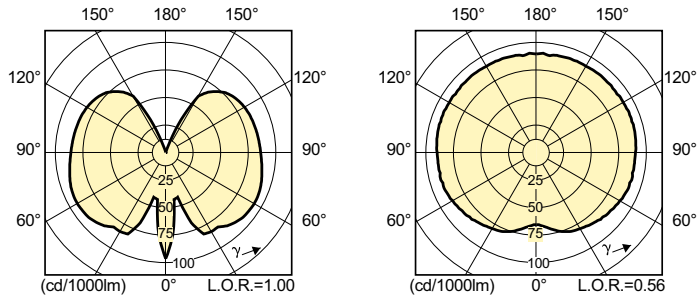
D

Product	D (max)	D	O	L (min)	L (max)	L	C (max)
MASTERColor CDM-Tm Elite Mini 35W/930 GU6.5	13.3 mm	0.5 in	4.7 mm	28 mm	32 mm	30 mm	56.7 mm

CDM-Tm 35W/930 GU6.5

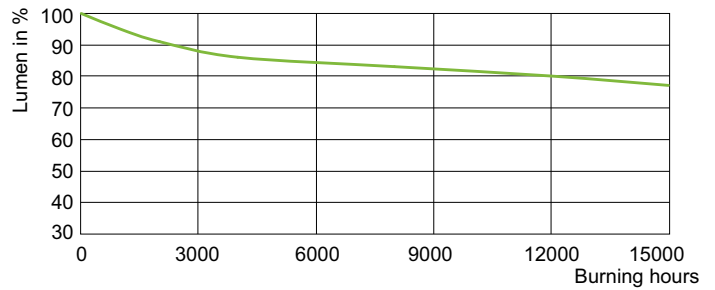
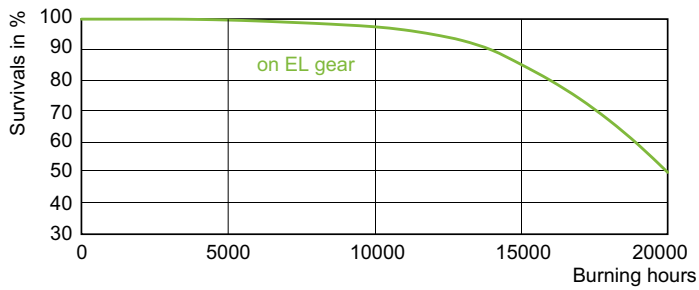
MasterColor CDM-Tm Elite Mini GU6.5

Photometric data



LDPO_CDM-Tm_35W_930_GU65-Spectral power distribution Colour

Lifetime



LDLM_CDM-Tm_0001-Lumen maintenance diagram

