



Twistline GU10

BC25 TWISTLINE GU10 / FL25

Bright, white accent light with superior energy savings Philips Twistline GU10 Philips Halogen Twistline MR16 with GU10 base provide bright white accent light. The twist and lock base enables easy installation and a secure fit. Suited for track and recessed lighting applications.

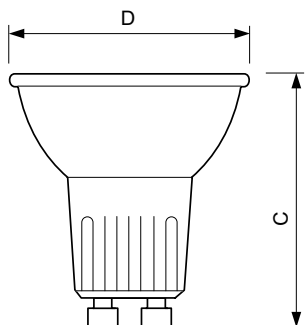
Product data

General Information	
Base	GU10 [GU10]
Operating Position	Universal [Universal]
Nominal Lifetime (Nom)	2000 h
Light Technical	
Beam Angle (Nom)	25 °
Luminous Intensity (Max)	400 cd
Rated Beam Angle	25 °
Correlated Color Temperature (Nom)	2800 K
Color Rendering Index (Nom)	100
Operating and Electrical	
Power (Rated) (Nom)	25 W
Starting Time (Nom)	0.0 s
Voltage (Nom)	120 V
Controls and Dimming	
Dimmable	Yes

Mechanical and Housing	
Bulb Finish	Clear
Approval and Application	
Energy Efficiency Label (EEL)	Not applicable
Product Data	
Order product name	BC25 TWISTLINE GU10 / FL25
EAN/UPC - Product	046677416935
Order code	416933
Numerator - Quantity Per Pack	1
Numerator - Packs per outer box	6
Material Nr. (12NC)	924887736301
Net Weight (Piece)	0.044 kg

Twistline GU10

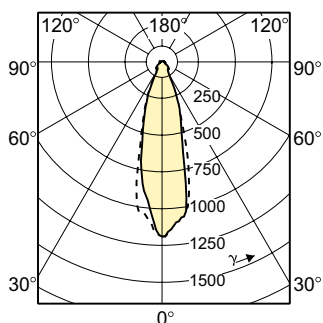
Dimensional drawing



TWIST 25W GU10 120V 25D

Product	D (max)	C (max)
BC25 TWISTLINE GU10 / FL25	50.7 mm	53 mm

Photometric data



LDLD_HTWIST_Dichr_25D-Light distribution diagram

