



Dynalite Relay Controllers

DDRC1220FR-GL

DDRC1220FR-GL provides control of multiple types of switched loads. 12 channel controller supports switched loads - up to 20 A per channel, max. load of 180 A.

DDRC1220FR-GL provides control of multiple types of switched loads. 12 channel controller supports switched loads up to 20 A per channel, max. load of 180 A.

Product data

General Information

Remarks	Please download the Lighting - Product Data Sheet for more information and ordering options
---------	---

Product Data

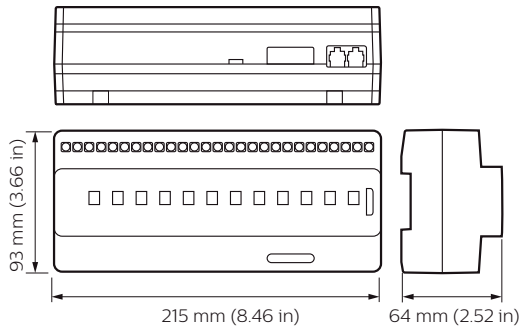
Order product name	DDRC1220FR-GL
EAN/UPC - Product	8718696887950
Order code	913703243009

Local order code

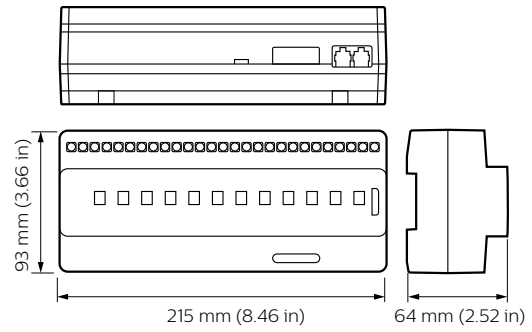
Numerator - Quantity Per Pack	1
Numerator - Packs per outer box	1
Material Nr. (12NC)	913703243009
Net Weight (Piece)	0.900 kg

Dynalite Relay Controllers

Dimensional drawing



Dynalite Multipurpose Controllers



Dynalite Multipurpose Controllers

