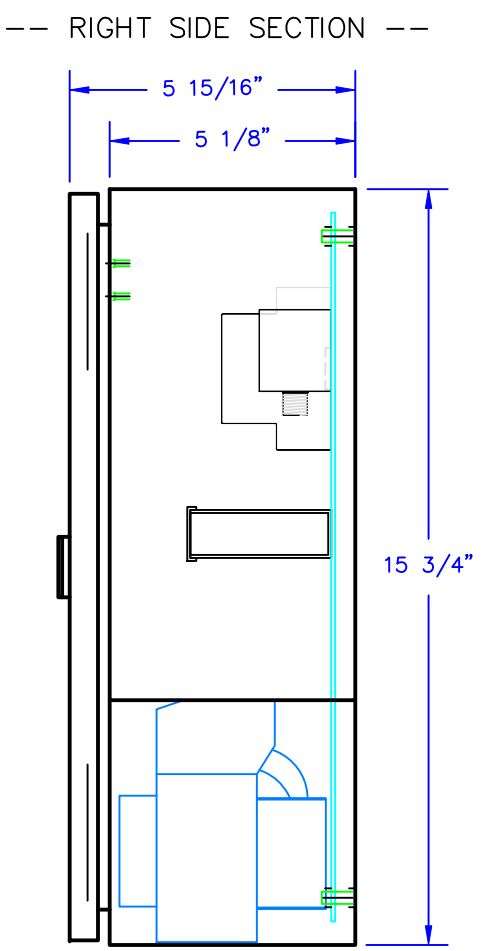


ENCLOSURE MUST BE MOUNTED IN THE ORIENTATION SHOWN w/ DOOR HINGE ON LEFT. ENCLOSURE IS CODE GA CRS, POWDER COAT LIGHT GRAY RAL7035 FINISH

TYPE 1 ENCLOSURE
-
INDOOR DRY LOCATION



SiteWise Dimming Signal Transmitter Cabinet CME-02 BILL OF MATERIALS			
ITEM	DESIG	DESCRIPTION	Qty
1*	Tx	PHILIPS LIGHTING CODED MAIN TRANSMITTER LFC7710/00	1
2*	Tr	PHILIPS LIGHTING CODED MAIN TRANSFORMER LCU7725/00	1
3*	V1	PHILIPS LIGHTING SURGE SUPPRESSOR SP1	1
4		DIN RAIL - WAGO 35MM x 7.5MM	~16.25"
5		WIRE DUCT - T&B 1' x 3"	~12.5"
6		TERMINALS - WAGO #2006-1301	10
6a		TERMINAL JUMPER BAR - WAGO #2006-402	1
7		TERMINAL (Blue) - WAGO #2006-1304 (or Item 6)	1
8		TERMINAL END PLATE - WAGO #2006-1392	5
9		TERMINALS - WAGO #2002-1301	4
10		TERMINAL END PLATE - WAGO #2002-1392	1
11	⊕	TERMINALS END STOP - WAGO 249-117	6
12		GROUNDING TERMINAL BLOCK - WAGO #2006-1307	1
13		TERMINAL BLOCK FUSE HOLDER - LITTELFUSE #LPSC0001Z	1
14	F1	FUSE - 2A TIME DELAY - LITTELFUSE #KLDR 002.	1
15	K1	RELAY (120-277 VAC Coil) - FUNCTIONAL DEVICES #RIB2421C	1
16		HINGED DOOR ENCLOSURE w/ 1/4 TURN LATCH - RITTAL 8017.535	1
17		PHILIPS DYNALITE DPN921 CONTROL STATION for LOCAL OVERRIDE (Not Shown, See Dwg -600)	1
18		PHILIPS DYNALITE ETHERNET GATEWAY (Not Shown, See Dwg -600)	1

! See Drawing 500, Sheet 2 of 2 For Contractor Entry Details
See Drawing -600 for Wiring Details

REV	REVISION DESCRIPTION	BY	DATE

SiteWise

Dimming Signal Transmitter

www.philips.com/sitewise

THIS DRAWING IS THE PROPERTY OF PHILIPS LIGHTING AND CONTAINS PROPRIETARY INFORMATION. THIS DRAWING SHALL NOT BE REPRODUCED, COPIED, OR USED WITHOUT PRIOR EXPRESSED WRITTEN PERMISSION.
(C) 2017 Philips Lighting - All Rights Reserved.

STATUS: Installation

DRAWN	CHK'D	PM	DATE
			06/09/2017

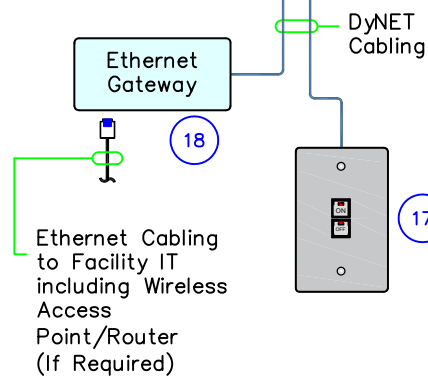
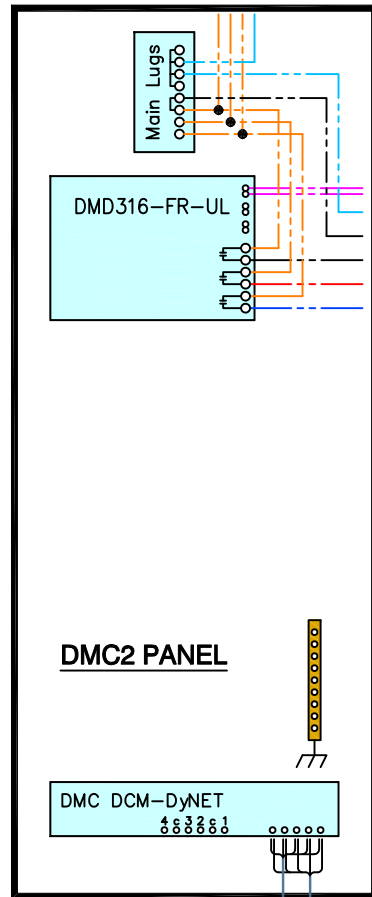
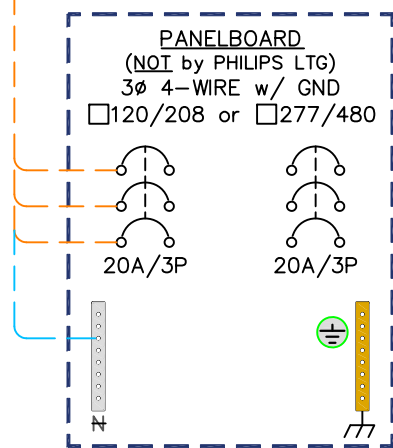
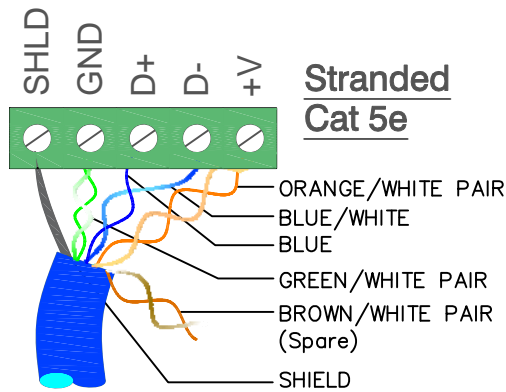
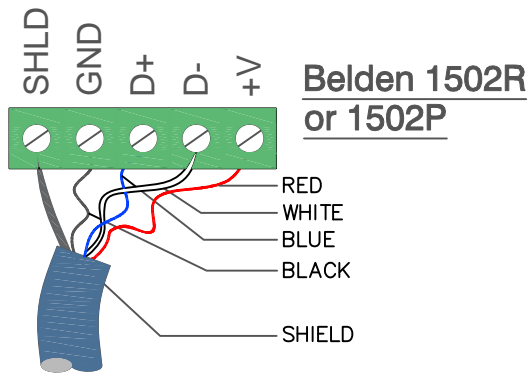
Coded Mains Enclosure CME-02 - Interior Details -

- 500

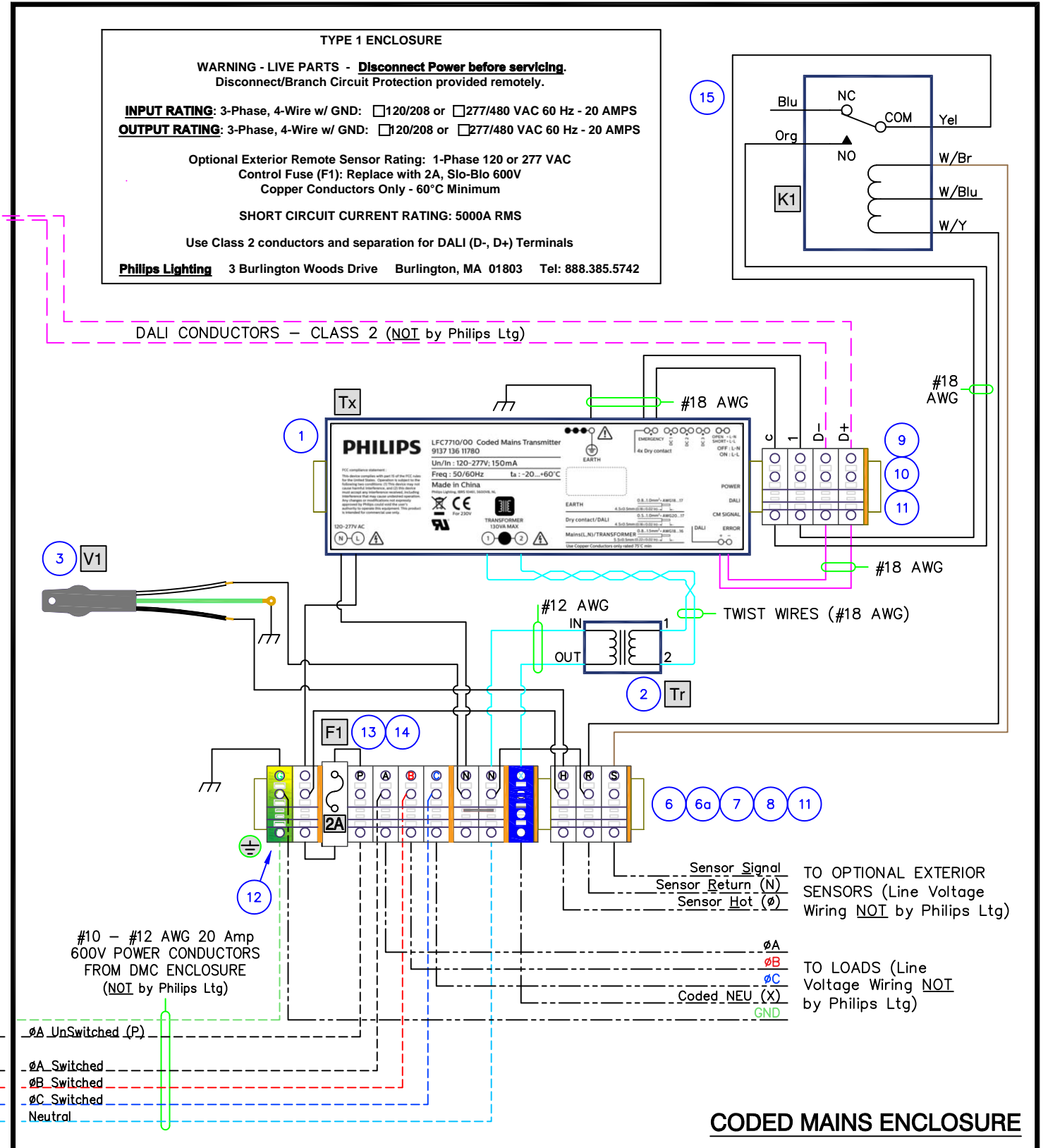
1 of 2

DyNET CABLING
 BELDEN 1502x or Equivalent
 PREFERRED

Contractor is Responsible for
 All Terminations



Neutral
 ØA_UnSwitched (P)
 ØA_Switched
 ØB_Switched
 ØC_Switched



CODED MAINS ENCLOSURE

REV	REVISION DESCRIPTION	BY	DATE

SiteWise

Dimming Signal Transmitter

www.philips.com/sitewise

THIS DRAWING IS THE PROPERTY OF PHILIPS LIGHTING AND CONTAINS PROPRIETARY INFORMATION. THIS DRAWING SHALL NOT BE REPRODUCED, COPIED, OR USED WITHOUT PRIOR EXPRESSED WRITTEN PERMISSION.
 (C) 2017 Philips Lighting - All Rights Reserved.

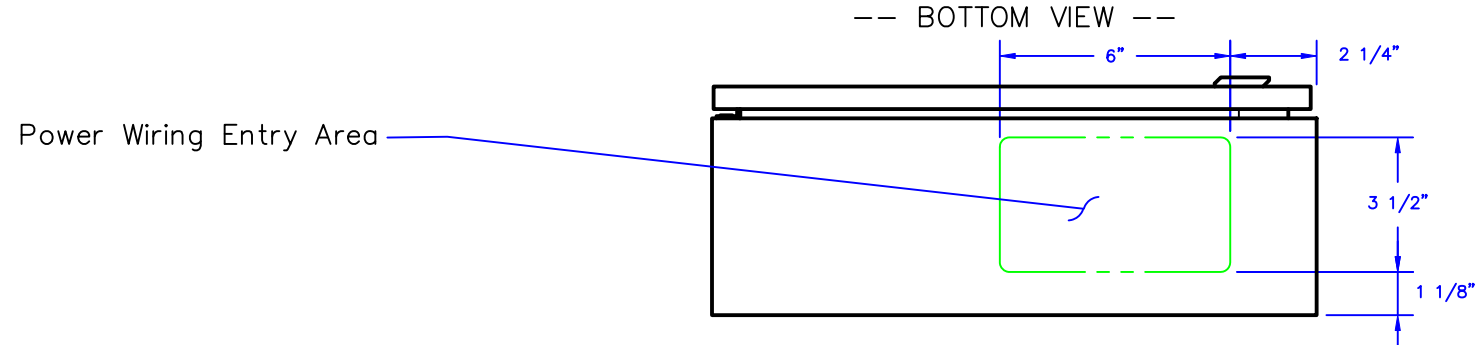
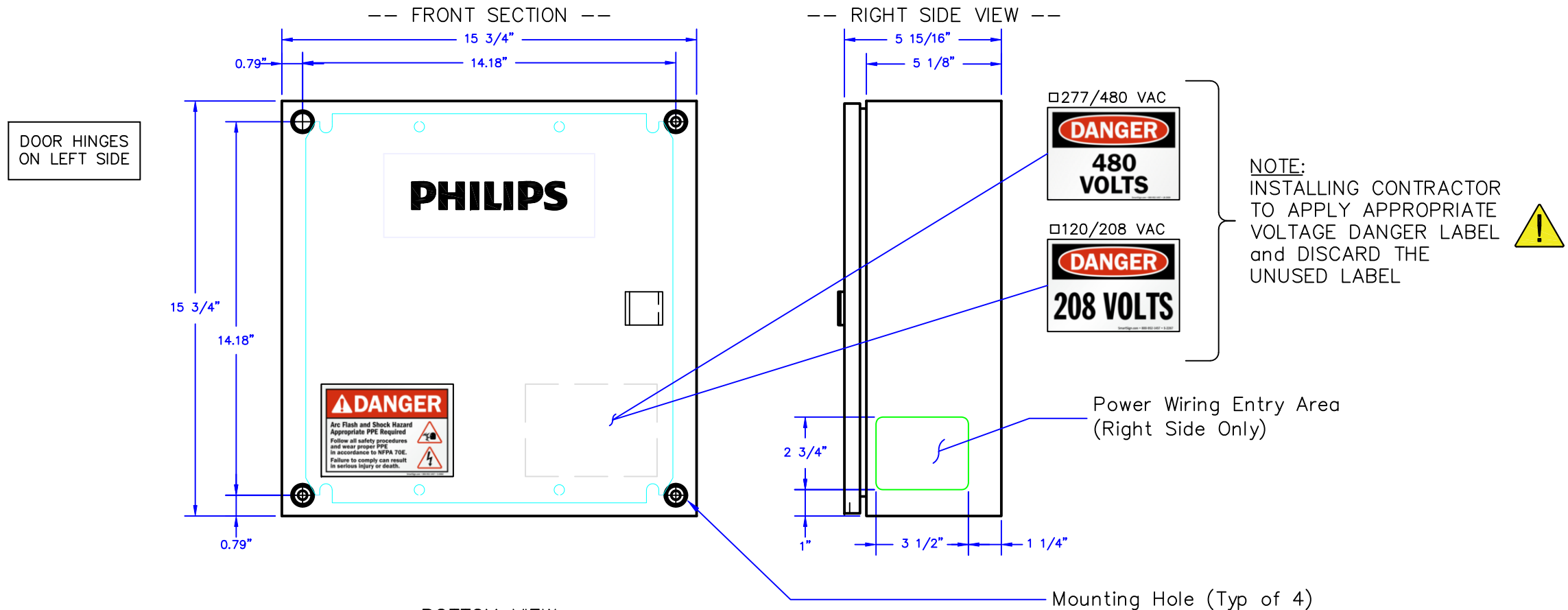
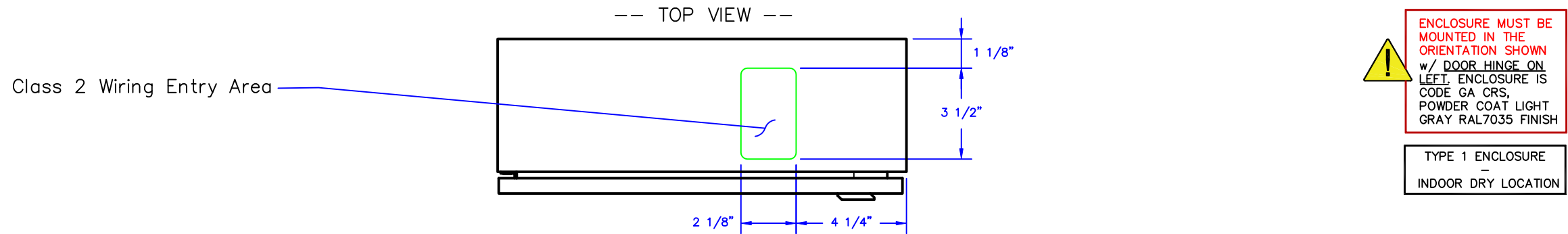
STATUS: Installation

DRAWN	CHK'D	PM	DATE
			06/09/2017

SECTION: Kit 1

Coded Mains Enclosure CME-02 - Kit 1 Wiring -

- 600.1



REV	REVISION DESCRIPTION	BY	DATE

SiteWise
Dimming Signal Transmitter

PHILIPS
www.philips.com/sitewise

THIS DRAWING IS THE PROPERTY OF PHILIPS LIGHTING AND CONTAINS PROPRIETARY INFORMATION. THIS DRAWING SHALL NOT BE REPRODUCED, COPIED, OR USED WITHOUT PRIOR EXPRESSED WRITTEN PERMISSION.
(C) 2017 Philips Lighting - All Rights Reserved.

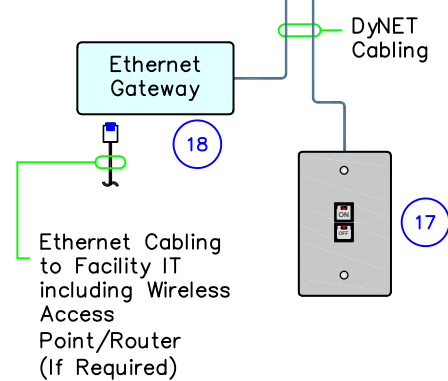
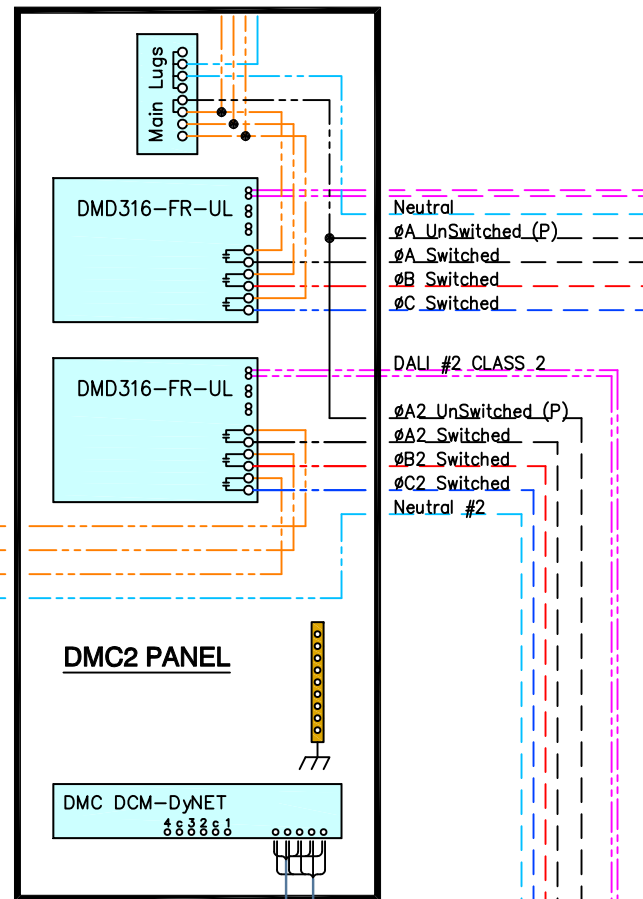
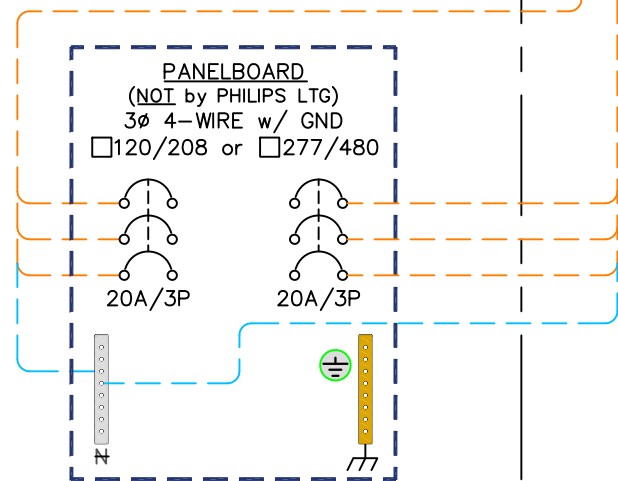
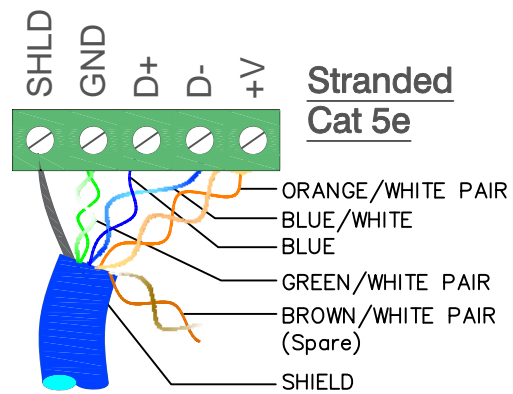
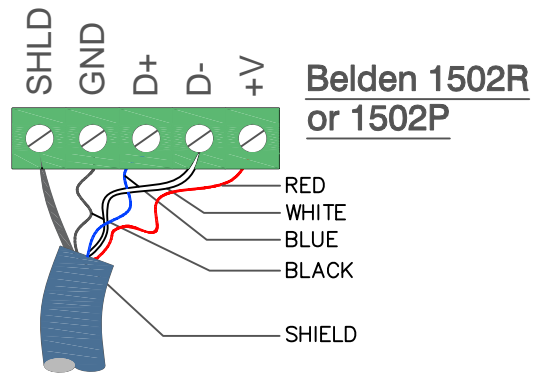
STATUS			
Installation			
DRAWN	CHK'D	PM	DATE
			06/09/2017
SECTION			

Coded Mains Enclosure CME-02 - Contractor Wire Entry -

- 500
2 of 2

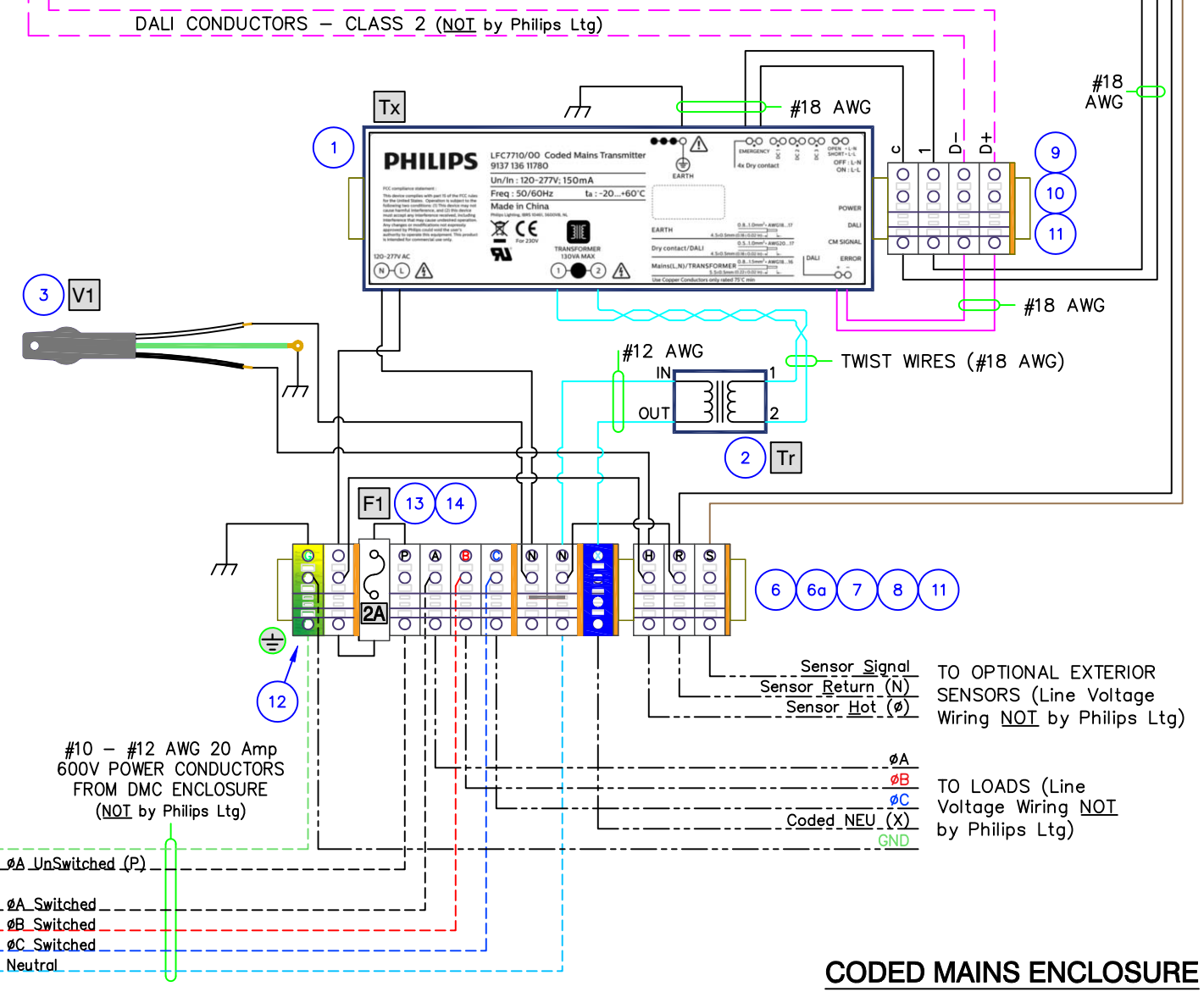
DyNET CABLING
 BELDEN 1502x or Equivalent
 PREFERRED

Contractor is Responsible for
 All Terminations



To Second Coded Mains Enclosure

TYPE 1 ENCLOSURE
WARNING - LIVE PARTS - Disconnect Power before servicing.
 Disconnect/Branch Circuit Protection provided remotely.
INPUT RATING: 3-Phase, 4-Wire w/ GND: □120/208 or □277/480 VAC 60 Hz - 20 AMPS
OUTPUT RATING: 3-Phase, 4-Wire w/ GND: □120/208 or □277/480 VAC 60 Hz - 20 AMPS
 Optional Exterior Remote Sensor Rating: 1-Phase 120 or 277 VAC
 Control Fuse (F1): Replace with 2A, Slo-Blo 600V
 Copper Conductors Only - 60°C Minimum
 SHORT CIRCUIT CURRENT RATING: 5000A RMS
 Use Class 2 conductors and separation for DALI (D-, D+) Terminals
Philips Lighting 3 Burlington Woods Drive Burlington, MA 01803 Tel: 888.385.5742



13n3

REV	REVISION DESCRIPTION	BY	DATE

SiteWise

Dimming Signal Transmitter

Coded Mains Enclosure CME-02 - Kit 2 Wiring -

- 600.2

PHILIPS

www.philips.com/sitewise

THIS DRAWING IS THE PROPERTY OF PHILIPS LIGHTING AND CONTAINS PROPRIETARY INFORMATION. THIS DRAWING SHALL NOT BE REPRODUCED, COPIED, OR USED WITHOUT PRIOR EXPRESSED WRITTEN PERMISSION.
 (C) 2017 Philips Lighting - All Rights Reserved.

STATUS: Installation

DRAWN	CHK'D	PM	DATE
			06/09/2017

SECTION: Kit 2