



# LED MR16

## 6.5MR16/F35/2700-2200 DIM 12V

Philips LED MR-16 lamps with single optic technology provide the look and color quality of traditional halogens while using a fraction of the energy. A perfect fit for spot lighting, they are compatible with most existing fixtures with MR16 GU5.3 holders and are designed as a retrofit replacement for halogen or incandescent spots.

### Product data

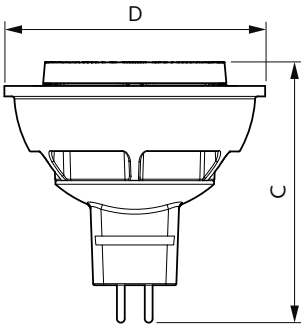
General Information		Wattage Equivalent	
Base	GU5.3 [ GU5.3]		35 W
EU RoHS compliant	Yes	Starting Time (Nom)	0.5 s
Nominal Lifetime (Nom)	25000 h	Warm Up Time to 60% Light (Nom)	0.5 s
Switching Cycle	50000X	Power Factor (Nom)	0.7
		Voltage (Nom)	ac electronic 12 V
Light Technical		Temperature	
Color Code	822-827 [ tunable warm white]	T-Case Maximum (Nom)	80 °C
Beam Angle (Nom)	35 °		
Initial lumen (Nom)	455 lm	Controls and Dimming	
Luminous Intensity (Nom)	950 cd	Dimmable	Only with specific dimmers
Color Designation	Warm Glow(WG)		
Correlated Color Temperature (Nom)	2200 2700 K	Mechanical and Housing	
Luminous Efficacy (rated) (Nom)	70.00 lm/W	Bulb Shape	MR16 [ 2inch/50mm]
Color Consistency	<6		
Color Rendering Index (Nom)	80	Approval and Application	
LLMF At End Of Nominal Lifetime (Nom)	70 %	Suitable For Accent Lighting	Yes
Operating and Electrical		Product Data	
Input Frequency	- Hz	Order product name	6.5MR16/F35/2700-2200 DIM 12V
Power (Rated) (Nom)	6.5 W	EAN/UPC - Product	046677574413
Lamp Current (Nom)	690 mA	Order code	574418

# LED MR16

Numerator - Quantity Per Pack	1
Numerator - Packs per outer box	10
Material Nr. (12NC)	929003087204

Net Weight (Piece)	0.052 kg
--------------------	----------

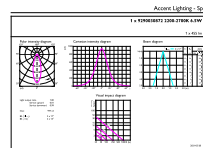
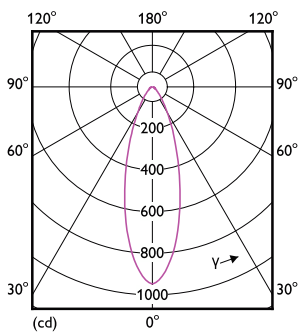
## Dimensional drawing



MR16 6.5-35W 455lm 35D DimtoneGU5.3 D

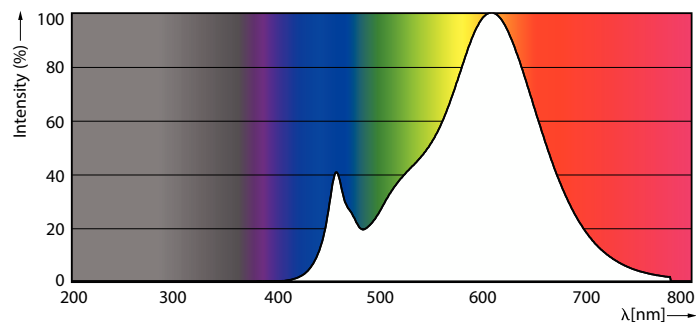
Product	D	C
6.5MR16/F35/2700-2200 DIM 12V	51 mm	50.5 mm

## Photometric data



LEDspots DIM IC 6,5W MR16 GU5,3 827 35D-LDD

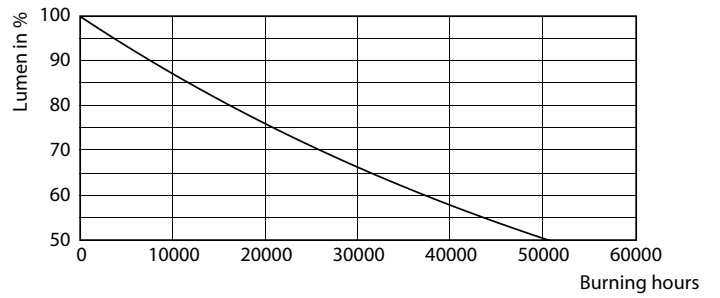
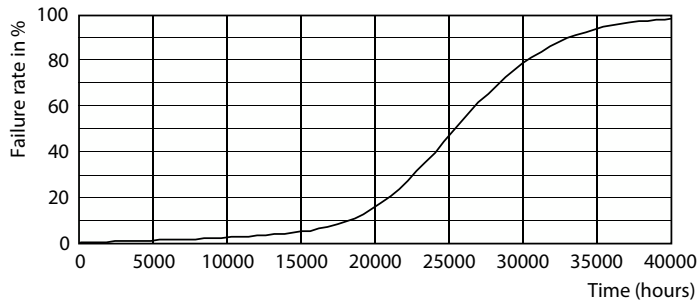
LEDspots DIM IC 6,5W MR16 GU5,3 827 35D-ADL



LEDspots DIM IC 6,5W MR16 GU5,3 827 35D-POC

# LED MR16

## Lifetime



LEDspots LED 25K

LEDspots LMP 25K

