



# LED MR16

## 7.8MR16/PER/927/F25/Dim/EC/12V 10/1FB

Philips LED MR-16 lamps with single optic technology provide the look and color quality of traditional halogens while using a fraction of the energy. A perfect fit for spot lighting, they are compatible with most existing fixtures with MR16 GU5.3 holders and are designed as a retrofit replacement for halogen or incandescent spots.

### Product data

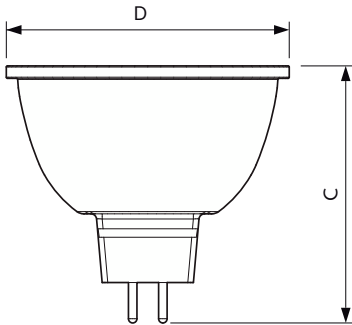
General Information		Power Consumption	
Cap-Base	GU5.3 [GU5.3]	Lamp Current (Nom)	720 mA
Nominal lifetime	25,000 hour(s)	Wattage Equivalent	50 W
Switching Cycle	50,000	Starting Time (Nom)	0.5 s
Lighting Technology	LED	Warm-up time to 60% light	0.5 s
EU RoHS compliant	Yes	Power Factor (Fraction)	0.7
		Voltage (Nom)	ac electronic 12 V
Light Technical		Temperature	
Color Code	927 [CCT of 2700K]	T-Case Maximum (Nom)	199 °F
Beam Angle (Nom)	25 degree(s)		
Luminous Flux	480 lumen	Controls and Dimming	
Luminous Intensity (Nom)	2,330 cd	Dimmable	Only with specific dimmers
Color Designation	Warm White (WW)		
Correlated Color Temperature (Nom)	2700 K	Mechanical and Housing	
Luminous Efficacy (rated) (Nom)	61.00 lm/W	Bulb Finish	Clear
Color Consistency	<3	Bulb Material	Aluminum
Color rendering index (CRI)	95	Bulb Shape	MR16 [2inch/50mm]
LLMF At End Of Nominal Lifetime (Nom)	70 %		
Operating and Electrical		Approval and Application	
Line Frequency	- Hz	Suitable For Accent Lighting	Yes
Input Frequency	- Hz		

# LED MR16

<b>Energy Certifications</b>	Energy Star
<b>Product Data</b>	
Order product name	7.8MR16/PER/927/F25/Dim/EC/12V 10/1FB
Order code	573600
Numerator - Quantity Per Pack	1
Numerator - Packs per outer box	10

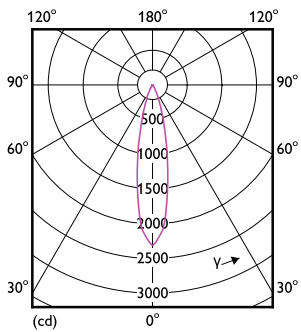
<b>Material Nr. (12NC)</b>	929003081004
<b>Full product name</b>	7.8MR16/PER/927/F25/Dim/EC/12V 10/1FB
<b>EAN/UPC - Case</b>	50046677573602
<b>EAN/UPC - Product/Case</b>	046677573607

## Dimensional drawing

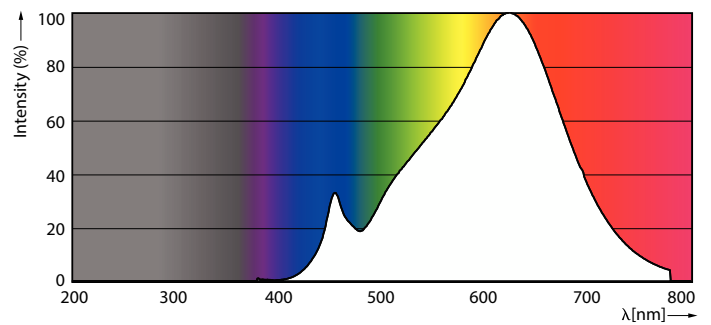


Product	D	C
7.8MR16/PER/927/F25/Dim/EC/12V 10/1FB	2 inch	1-13/16 inch

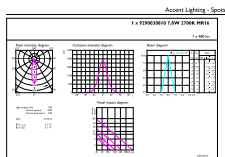
## Photometric data



Light Distribution Diagram - 7.8MR16/PER/927/F25/Dim/EC/12V 10/1FB



Spectral Power Distribution Colour - 7.8MR16/PER/927/F25/Dim/EC/12V 10/1FB



Accent Lighting Spots - 7.8MR16/PER/927/F25/Dim/EC/12V 10/1FB

Accent Lighting Spots - 7.8MR16/PER/927/F25/Dim/EC/12V 10/1FB

# LED MR16

## Lifetime



Life Expectancy Diagram - 7.8MR16/PER/927/F25/Dim/EC/12V 10/1FB

Lumen Maintenance Diagram - 7.8MR16/PER/927/F25/Dim/EC/12V 10/1FB

