



LED MR16

8MR16/LED/827/F25/DIM 12V 10/1FB

Philips LED MR-16 lamps with single optic technology provide the look and color quality of traditional halogens while using a fraction of the energy. A perfect fit for spot lighting, they are compatible with most existing fixtures with MR16 GU5.3 holders and are designed as a retrofit replacement for halogen or incandescent spots.

Product data

| General Information | |
|------------------------|----------------|
| Base | GU5.3 [GU5.3] |
| EU RoHS compliant | Yes |
| Nominal Lifetime (Nom) | 25000 h |
| Switching Cycle | 50000X |

| Light Technical | |
|---------------------------------------|---------------------|
| Color Code | 827 [CCT of 2700K] |
| Beam Angle (Nom) | 25° |
| Initial lumen (Nom) | 600 lm |
| Luminous Intensity (Nom) | 3100 cd |
| Color Designation | Warm White (WW) |
| Correlated Color Temperature (Nom) | 2700 K |
| Luminous Efficacy (rated) (Nom) | 75.00 lm/W |
| Color Consistency | <4 |
| Color Rendering Index (Nom) | 80 |
| LLMF At End Of Nominal Lifetime (Nom) | 70 % |

| Operating and Electrical | |
|--------------------------|--------|
| Input Frequency | - Hz |
| Power (Rated) (Nom) | 8 W |
| Lamp Current (Nom) | 720 mA |

| Wattage Equivalent | |
|---------------------------------|--------------------|
| Wattage Equivalent | 75 W |
| Starting Time (Nom) | 0.5 s |
| Warm Up Time to 60% Light (Nom) | 0.5 s |
| Power Factor (Nom) | 0.7 |
| Voltage (Nom) | ac electronic 12 V |

| Temperature | |
|----------------------|-------|
| T-Case Maximum (Nom) | 93 °C |

| Controls and Dimming | |
|----------------------|----------------------------|
| Dimmable | Only with specific dimmers |

| Mechanical and Housing | |
|------------------------|--------------------|
| Bulb Shape | MR16 [2inch/50mm] |

| Approval and Application | |
|------------------------------|-----|
| Suitable For Accent Lighting | Yes |

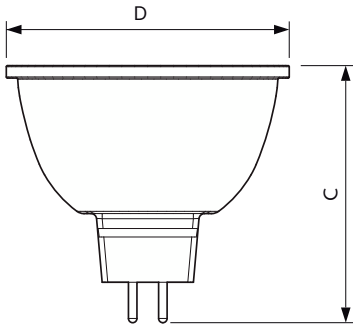
| Product Data | |
|--------------------|----------------------------------|
| Order product name | 8MR16/LED/827/F25/DIM 12V 10/1FB |
| EAN/UPC - Product | 046677573904 |
| Order code | 573907 |

LED MR16

| | |
|---------------------------------|--------------|
| Numerator - Quantity Per Pack | 1 |
| Numerator - Packs per outer box | 10 |
| Material Nr. (12NC) | 929003072504 |

| | |
|--------------------|----------|
| Net Weight (Piece) | 0.060 kg |
|--------------------|----------|

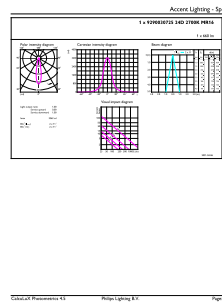
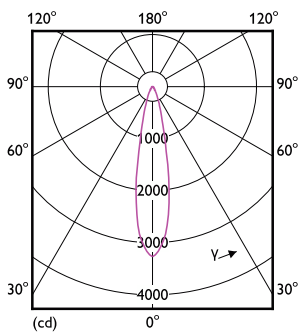
Dimensional drawing



MR16 12V 8-50W 660lm 24D 2700K GU5.3 D

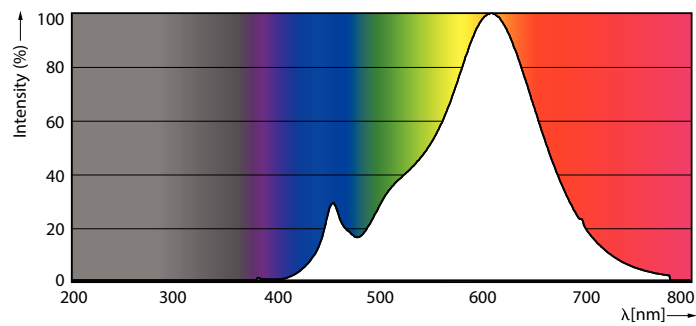
| Product | D | C |
|----------------------------------|-------|---------|
| 8MR16/LED/827/F25/DIM 12V 10/1FB | 50 mm | 46.5 mm |

Photometric data



LEDspots DIM IC 8W MR16 GU5,3 827 25D-LDD

LEDspots DIM IC 8W MR16 GU5,3 827 25D-ADL



LEDspots DIM IC 8W MR16 GU5,3 827 25D-POC

LED MR16

Lifetime



LEDspots LED 25K

LEDspots LMP 25K

