



# LED PAR30 S/L

## 8.5PAR30S/LED/927/F25/DIM/GULW/T20 6/1FB

Philips LED spots with a single optic beam, provide a clean beam that's free from shadows with beam angles from 15 and 40 degrees to suit every general lighting application.

### Product data

General information	
Base	E26 [ Single Contact Medium Screw]
EU RoHS compliant	Yes
Nominal Lifetime (Nom)	25000 h
Switching Cycle	25000X
Light technical	
Color Code	927 [ CCT of 2700K]
Beam Angle (Nom)	25 °
Initial lumen (Nom)	800 lm
Luminous Intensity (Nom)	3300 cd
Color Designation	Warm White (WW)
Correlated Color Temperature (Nom)	2700 K
Luminous Efficacy (rated) (Nom)	94.00 lm/W
Color Consistency	<4
Color Rendering Index (Nom)	90
LLMF At End Of Nominal Lifetime (Nom)	70 %
Operating and electrical	
Input Frequency	50 to 60 Hz
Power (Rated) (Nom)	8.5 W
Lamp Current (Nom)	80 mA
Wattage Equivalent	75 W
Starting Time (Nom)	0.5 s

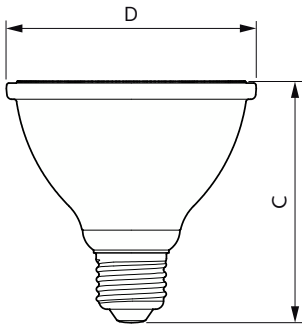
Warm Up Time to 60% Light (Nom)	0.5 s
Power Factor (Nom)	0.9
Voltage (Nom)	120 V
Temperature	
T-Case Maximum (Nom)	158 °F
Controls and dimming	
Dimmable	Only with specific dimmers
Mechanical and housing	
Bulb Finish	Clear
Bulb Material	Glass
Bulb Shape	PAR30S [ PAR 3.75 inch/95mm Short]
Approval and application	
Suitable For Accent Lighting	Yes
Energy Certifications	Energy Star
Product data	
Order product name	8.5PAR30S/LED/927/F25/DIM/GULW/T20 6/1FB
EAN/UPC - Product	046677568009
Order code	568006

# LED PAR30 S/L

Numerator - Quantity Per Pack	1
Numerator - Packs per outer box	6
Material Nr. (12NC)	929003027704

Copy Net Weight (Piece)	0.485 lb
-------------------------	----------

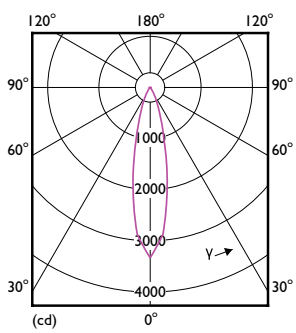
## Dimensional drawing



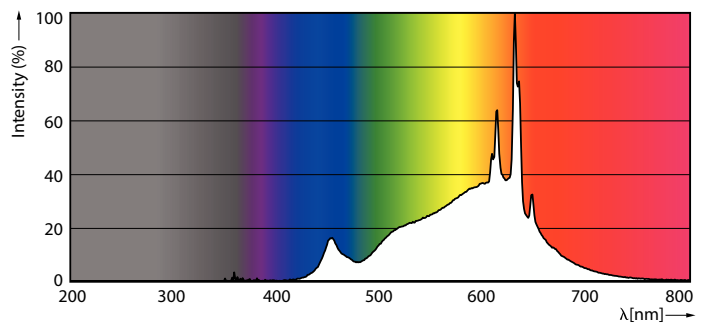
8.5PAR30S/LED/927/F25/DIM/GULW/T20 6/1FB

Product	D	C
8.5PAR30S/LED/927/F25/DIM/GULW/T20 6/1FB	3-3/4 in	3-9/16 in

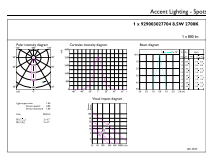
## Photometric data



LEDspots N DIM 8,5W PAR30S E26 927 25D-LDD



LEDspots N DIM 8,5W PAR30L E26 927 25D-POC

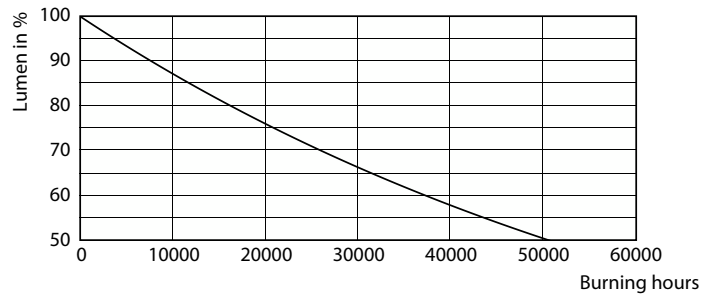


Technical Drawing 1.1 10/20/2022 1.1

LEDspots N DIM 8,5W PAR30S E26 927 25D 1-ADL

# LED PAR30 S/L

## Lifetime



Life Expectancy Diagram

Lumen Maintenance Diagram

