



# MASTER VALUE LEDs pot LV

## MASTER LED SPOT VLE D 7.5-50W MR16 940 36D

Delivering a warm, halogen-like accent beam, MASTER LEDspot LV is an ideal retrofit solution for spot and general lighting applications in the hospitality industry. It is particularly suited to public areas such as receptions, lobbies, corridors, stairwells and washrooms, where the light is on all the time.;The robustly designed MASTER LEDspot offers a choice of beam angles for a clearly defined beam spread. There is no UV or IR in the beam, making it suitable for illuminating heat-sensitive objects (food, organic materials, paintings, etc.);The patented intelligent driver enables broad compatibility with existing electromagnetic and electronic halogen transformers. The dimmable versions drive further efficiencies, while helping to create the desired atmosphere.

### Warnings and Safety

- Operating temperature range is between -20° C and 45° C ambient
- Only to apply in dry or damp locations and most of open fixtures with lamp-holders that offer sufficient space (10 mm free air space)
- Not intended for use with emergency light fixtures or exit lights

### Product data

General information		Beam Angle (Nom)	
Base	GU5.3 [ GU5.3]		36 °
EU RoHS compliant	Yes	Initial lumen (Nom)	660 lm
Nominal Lifetime (Nom)	25000 h	Luminous Intensity (Nom)	1500 cd
Switching Cycle	50000	Color Designation	Cool White (CW)
Flux measurement reference	Narrow Cone	Correlated Color Temperature (Nom)	4000 K
		Luminous Efficacy (rated) (Nom)	88.00 lm/W
		Color Consistency	<6
		Color Rendering Index (Nom)	90
		LLMF At End Of Nominal Lifetime (Nom)	70 %
Light technical			
Color Code	940 [ CCT of 4000K]		

# MASTER VALUE LEDspot LV

Luminous Flux in 90° Cone (Rated)	660 lm
-----------------------------------	--------

## Operating and electrical

Input Frequency	- Hz
Power (Rated) (Nom)	7.5 W
Lamp Current (Nom)	660 mA
Wattage Equivalent	50 W
Starting Time (Nom)	0.5 s
Warm Up Time to 60% Light (Nom)	0.5 s
Power Factor (Nom)	0.7
Voltage (Nom)	ac electronic 12 V

## Temperature

T-Case Maximum (Nom)	203 °F
----------------------	--------

## Controls and dimming

Dimmable	Only with specific dimmers
----------	----------------------------

## Mechanical and housing

Bulb Shape	MR16 [ 2inch/50mm]
------------	--------------------

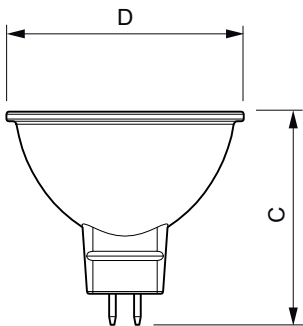
## Approval and application

Energy Efficiency Class	F
Suitable For Accent Lighting	Yes
Energy Consumption kWh/1000 h	8 kWh
EPREL Registration Number	453182

## Product data

Order product name	MASTER LED SPOT VLE D 7.5-50W MR16 940
	36D
EAN/UPC - Product	8719514307360
Order code	366906
Numerator - Quantity Per Pack	1
Numerator - Packs per outer box	10
Material Nr. (12NC)	929002493402
Net Weight (Piece)	0.099 lb

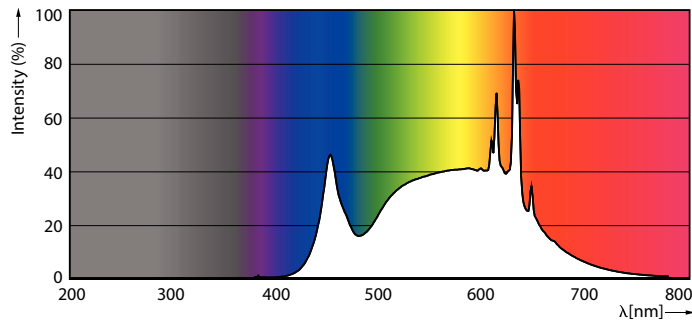
## Dimensional drawing



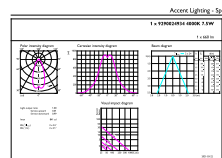
MASTER LED SPOT VLE D 7.5-50W MR16 940 36D

Product	D	C
MASTER LED SPOT VLE D 7.5-50W MR16 940 36D	2 in	1-13/16 in

## Photometric data



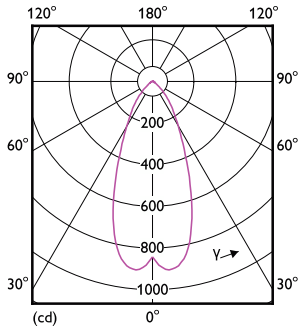
LEDspots MAS 7,5W MR16 GU5,3 940 36D



LEDspots MAS 7,5W MR16 GU5,3 940 36D

# MASTER VALUE LEDspot LV

## Photometric data



LEDspots MAS 7,5W MR16 GU5,3 940 36D

## Lifetime



Life Expectancy Diagram



Lumen Maintenance Diagram

