



LED Designer Deco

26UFO/PER/865/FR/P/E26/ND 4/1PF

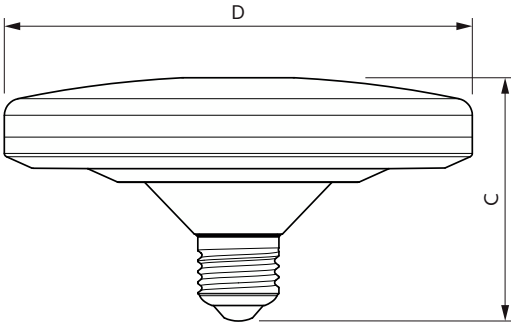
Philips LED Designer Deco lamps allow you to maintain a warm, classic light or a modern, chic effect while providing longer life and energy savings

Product data

General information	
Base	E26 [Single Contact Medium Screw]
EU RoHS compliant	Yes
Nominal Lifetime (Nom)	15000 h
Switching Cycle	50000
Light technical	
Color Code	865 [CCT of 6500K]
Beam Angle (Nom)	120 °
Initial lumen (Nom)	2050 lm
Color Designation	Cool Daylight
Correlated Color Temperature (Nom)	6500 K
Luminous Efficacy (rated) (Nom)	78 lm/W
Color Consistency	<6
Color Rendering Index (Nom)	80
LLMF At End Of Nominal Lifetime (Nom)	70 %
Operating and electrical	
Input Frequency	50 to 60 Hz
Power (Rated) (Nom)	26 W
Lamp Current (Nom)	360 mA
Wattage Equivalent	125 W
Starting Time (Nom)	0.5 s
Warm Up Time to 60% Light (Nom)	0.5 s
Power Factor (Nom)	0.5

Voltage (Nom)	110-240 V
Temperature	
T-Ambient (Max)	113 °F
T-Ambient (Min)	-4 °F
T-Ambient (Min)-DUP(do not use)	-4 °F
T-Case Maximum (Nom)	161.6 °F
Controls and dimming	
Dimmable	No
Mechanical and housing	
Bulb Finish	Frosted
Bulb Material	Plastic
Bulb Shape	Others
Product data	
Order product name	26UFO/PER/865/FR/P/E26/ND 4/1PF
EAN/UPC - Product	046677571832
Order code	571836
Numerator - Quantity Per Pack	1
Numerator - Packs per outer box	4
Material Nr. (12NC)	929002010825
Net Weight (Piece)	0.562 lb

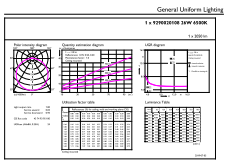
Dimensional drawing



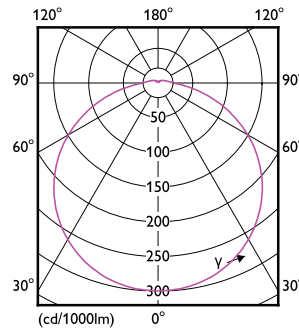
26UFO/PER/865/FR/P/E26/ND 4/1PF

Product	D	C
26UFO/PER/865/FR/P/E26/ND 4/1PF	7-7/8 in	3-1/16 in

Photometric data

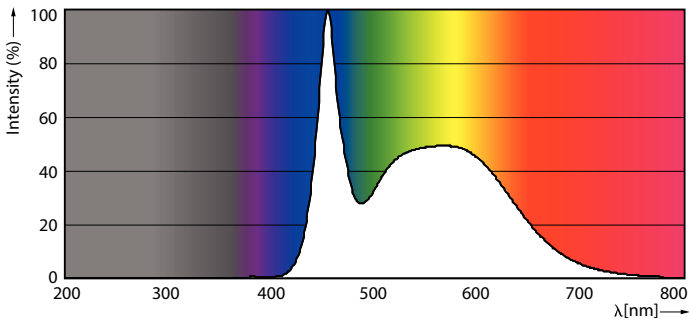


©2022 Photometric Co. All Rights Reserved. Page 11



Light Distribution Diagram

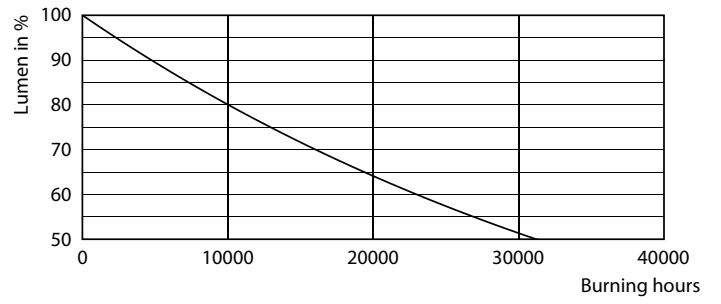
General uniform lighting



Spectral Power Distribution Colour

LED Designer Deco

Lifetime



Life Expectancy Diagram

Lumen Maintenance Diagram

