



# A-Shape LED

## 8.8A19/PER/930/P/GU24/DIM 6/1FB T20

Philips A-shape LED lamps are the LED alternative to standard incandescents. It provides beautiful light and dependable performance you expect from LED at an affordable price.

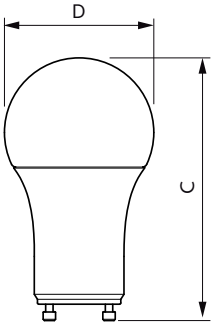
### Product data

General information		Power Factor (Nom)		0.7
Base	GU24	Voltage (Nom)		120 V
EU RoHS compliant	Yes	<b>Temperature</b>		
Nominal Lifetime (Nom)	15000 h	T-Case Maximum (Nom)		194 °F
Switching Cycle	50000X	<b>Controls and dimming</b>		
<b>Light technical</b>		Dimmable		Yes
Color Code	930 [ CCT of 3000K]	<b>Mechanical and housing</b>		
Beam Angle (Nom)	250 °	Bulb Finish		Frosted
Initial lumen (Nom)	800 lm	Bulb Material		Plastic
Color Designation	White (WH)	Bulb Shape		A19 (A19)
Correlated Color Temperature (Nom)	3000 K	<b>Approval and application</b>		
Luminous Efficacy (rated) (Nom)	90.00 lm/W	Energy Certifications		Energy Star
Color Consistency	<4	<b>Product data</b>		
Color Rendering Index (Nom)	90	Order product name		8.8A19/PER/930/P/GU24/DIM 6/1FB T20
LLMF At End Of Nominal Lifetime (Nom)	70 %	EAN/UPC - Product		046677557669
<b>Operating and electrical</b>		Order code		557660
Input Frequency	60 Hz	Numerator - Quantity Per Pack		1
Power (Rated) (Nom)	8.8 W	Numerator - Packs per outer box		6
Lamp Current (Nom)	80 mA	Material Nr. (12NC)		929002327504
Wattage Equivalent	60 W			
Starting Time (Nom)	0.5 s			
Warm Up Time to 60% Light (Nom)	0.5 s			

# A-Shape LED

Net Weight (Piece) 0.132 lb

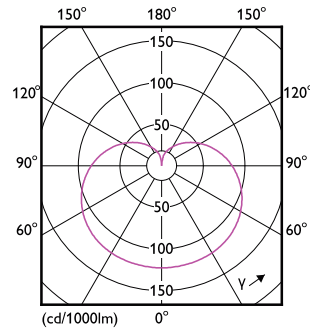
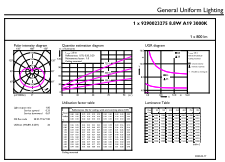
## Dimensional drawing



8.8A19/PER/930/P/GU24/DIM 6/1FB T20

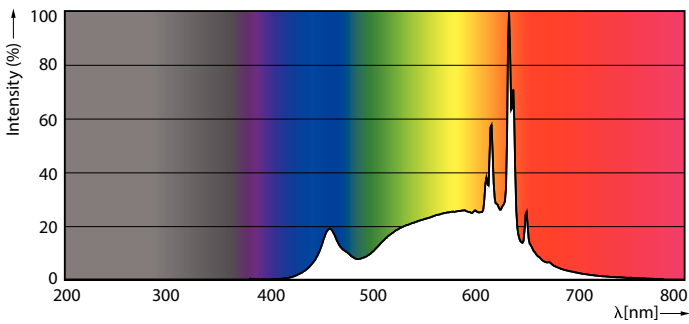
Product	D	C
8.8A19/PER/930/P/GU24/DIM 6/1FB T20	2-3/8 in	4-3/16 in

## Photometric data



LEDbulb 8,8W A19 GU24 930 FR

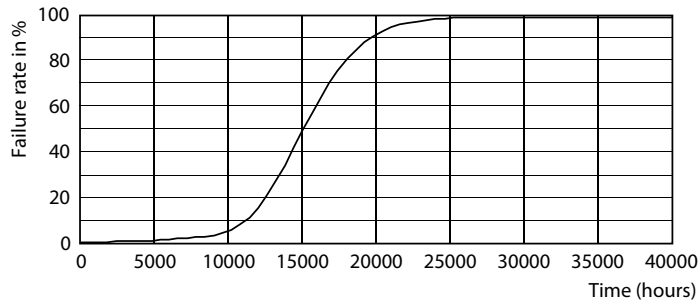
LEDbulb A19 GU24 800lm FR



LEDbulb 8,8W A19 GU24 930 FR

# A-Shape LED

## Lifetime



Life Expectancy Diagram

Lumen Maintenance Diagram

