



# A-Shape LED

## 10A19/LED/850/FR/P/ND 4/2FB

Philips A-Shape Dimmable LED Lamps are the smart LED Alternative to standard incandescent. The unique lamp design provides omni-directional light with excellent dimming performance.

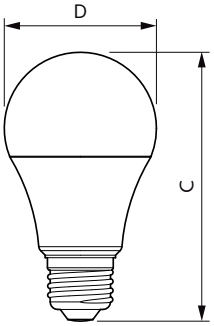
### Product data

| General Information                   |                                    |
|---------------------------------------|------------------------------------|
| Base                                  | E26 [ Single Contact Medium Screw] |
| EU RoHS compliant                     | Yes                                |
| Nominal Lifetime (Nom)                | 11000 h                            |
| Switching Cycle                       | 50000X                             |
| Technical Type                        | 10-75W                             |
| Light Technical                       |                                    |
| Color Code                            | 850 [ CCT of 5000K]                |
| Initial lumen (Nom)                   | 1000 lm                            |
| Color Designation                     | Daylight                           |
| Correlated Color Temperature (Nom)    | 5000 K                             |
| Luminous Efficacy (rated) (Nom)       | 100.00 lm/W                        |
| Color Consistency                     | <6                                 |
| Color Rendering Index (Nom)           | 80                                 |
| LLMF At End Of Nominal Lifetime (Nom) | 70 %                               |
| Operating and Electrical              |                                    |
| Input Frequency                       | 60 Hz                              |
| Power (Rated) (Nom)                   | 10 W                               |
| Lamp Current (Nom)                    | 185 mA                             |
| Wattage Equivalent                    | 75 W                               |
| Starting Time (Nom)                   | 0.5 s                              |
| Warm Up Time to 60% Light (Nom)       | 0.5 s                              |

| Power Factor (Nom)              | 0.5                         |
|---------------------------------|-----------------------------|
| Voltage (Nom)                   | 120 V                       |
| Temperature                     |                             |
| T-Case Maximum (Nom)            | 95 °C                       |
| Controls and Dimming            |                             |
| Dimmable                        | No                          |
| Mechanical and Housing          |                             |
| Bulb Finish                     | Frosted                     |
| Bulb Shape                      | A19 (A19)                   |
| Product Data                    |                             |
| Order product name              | 10A19/LED/850/FR/P/ND 4/2FB |
| EAN/UPC - Product               | 50046677463002              |
| Order code                      | 463000                      |
| Numerator - Quantity Per Pack   | 1                           |
| Numerator - Packs per outer box | 4                           |
| Material Nr. (12NC)             | 929002311603                |
| Net Weight (Piece)              | 0.042 kg                    |

# A-Shape LED

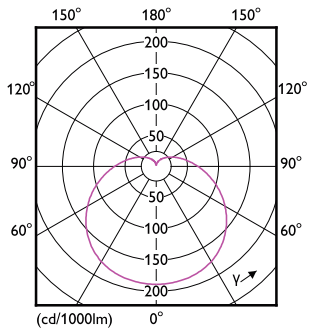
## Dimensional drawing



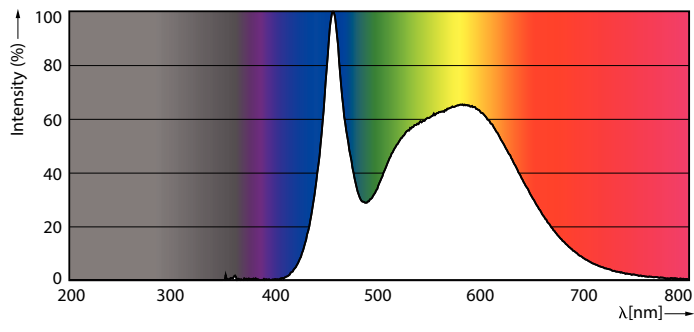
Bulb A60 LV 10-W 1000lm 5000K E26 ND FR

| Product                     | D     | C      |
|-----------------------------|-------|--------|
| 10A19/LED/850/FR/P/ND 4/2FB | 60 mm | 106 mm |

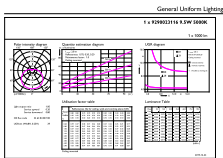
## Photometric data



LEDbulbe A19 E26 1000lm FR



LEDbulbe 10W A19 E26 850 FR



LEDbulbe 10W A19 E26 850 FR

# A-Shape LED

## Lifetime



15K LED

15K LMP

