



LED 3-Way

18.5A21/LED/927/P/E26/3WAY ND 4/1FB T20

Philips LED A-shape light bulb provides omni-directional light perfect for general room lighting. This lamp creates a comfortable atmosphere by providing 3 wattage levels of soft, white light that will not fade fabrics or furnishings.

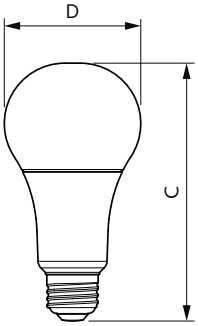
Product data

General Information	
Base	E26 [Single Contact Medium Screw]
EU RoHS compliant	Yes
Nominal Lifetime (Nom)	15000 h
Switching Cycle	50000X
Technical Type	18.5;13;6-150-100-50W
Light Technical	
Color Code	927 [CCT of 2700K]
Beam Angle (Nom)	250 °
Initial lumen (Nom)	2150-1600-620 lm
Color Designation	Warm White (WW)
Correlated Color Temperature (Nom)	2700 K
Luminous Efficacy (rated) (Nom)	116.00 lm/W
Color Consistency	<4
Color Rendering Index (Nom)	90
LLMF At End Of Nominal Lifetime (Nom)	70 %
Operating and Electrical	
Input Frequency	60 Hz
Power (Rated) (Nom)	18.5 13 6 W
Lamp Current (Max)	157 mA
Lamp Current (Min)	54 mA
Wattage Equivalent	150-100-50 W

Starting Time (Nom)	0.5 s
Warm Up Time to 60% Light (Nom)	0.5 s
Power Factor (Nom)	0.7
Voltage (Nom)	120 V
Temperature	
T-Case Maximum (Nom)	95 °C
Controls and Dimming	
Dimmable	No
Mechanical and Housing	
Bulb Finish	Frosted
Bulb Shape	A21 (A21)
Product Data	
Order product name	18.5A21/LED/927/P/E26/3WAY ND 4/1FB T20
EAN/UPC - Product	046677556938
Order code	556936
Numerator - Quantity Per Pack	1
Numerator - Packs per outer box	4
Material Nr. (12NC)	929002285103
Net Weight (Piece)	0.096 kg

LED 3-Way

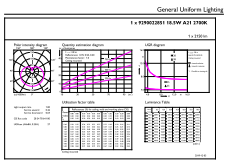
Dimensional drawing



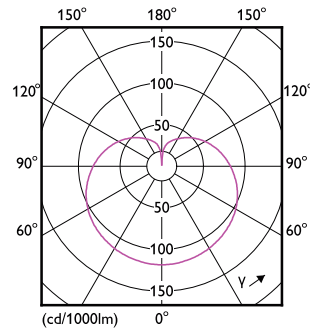
A21 120V 18.5-150W 2150lm 2700K E26 ND

Product	D	C
18.5A21/LED/927/P/E26/3WAY ND 4/1FB T20	70.6 mm	133.1 mm

Photometric data

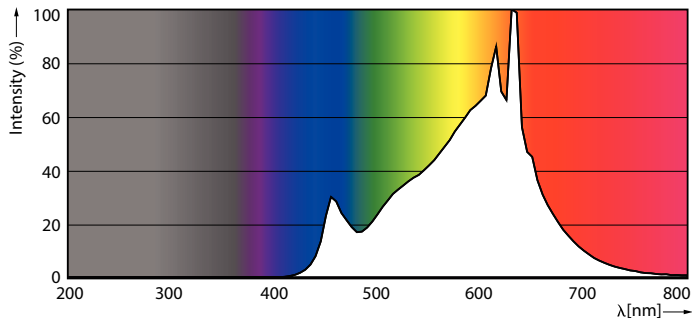


General Illumination Lighting
1 x 18.5A21/LED/927/P/E26/3WAY ND 4/1FB T20



LEDbulb 18,5W A21 E26 927 FR

LEDbulb A21 E26 2150lm FR



LEDbulb 18,5W A21 E26 927 FR

LED 3-Way

Lifetime



15K LED

15K LMP

