



# MasterConnect LED PAR

## 8PAR30S/MC/930/F40/IA/120V 6/1FB

Introducing MasterConnect LED lamps - smart retrofit LED lamps that give you an easy and seamless way to upgrade to connected lighting. Simply set up with an intuitive app, MasterConnect LED lamps can be programmed to maximize energy savings, while providing wireless and automated light for your comfort and convenience. What's more, it is fully scalable and upgradable. If you want to enjoy further benefits such as remote control or management dashboard, you can simply keep the currently installed lamps and add a gateway to experience all the advantages of a cloud-based system. There's no better way to take lighting solutions to the next level.

### Product data

General Information	
Base	E26 [ Single Contact Medium Screw]
EU RoHS compliant	Yes
Nominal Lifetime (Nom)	25000 h
Switching Cycle	50000X
Technical Type	8-75W

Light Technical	
Color Code	930 [ CCT of 3000K]
Beam Angle (Nom)	40 °
Initial lumen (Nom)	850 lm
Luminous Intensity (Nom)	1315 cd
Color Designation	White (WH)
Correlated Color Temperature (Nom)	3000 K
Luminous Efficacy (rated) (Nom)	106.00 lm/W
Color Consistency	<4

Color Rendering Index (Nom)	90
LLMF At End Of Nominal Lifetime (Nom)	70 %

Operating and Electrical	
Input Frequency	50 to 60 Hz
Power (Rated) (Nom)	8 W
Lamp Current (Nom)	75 mA
Starting Time (Nom)	0.5 s
Warm Up Time to 60% Light (Nom)	0.5 s
Power Factor (Nom)	0.9
Voltage (Nom)	120 V

Temperature	
T-Case Maximum (Nom)	70 °C

# MasterConnect LED PAR

## Controls and Dimming

Dimmable	Wireless Dim
----------	--------------

## Mechanical and Housing

Product Length	4 in
----------------	------

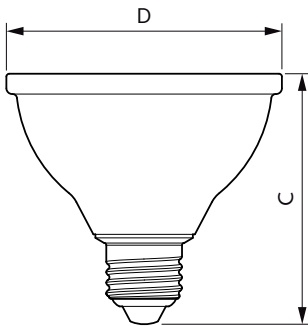
## Approval and Application

Energy Efficiency Label (EEL)	Not applicable
Energy Saving Product	Yes
Approbation Marks	RoHS compliance Energy Star
Energy Consumption kWh/1000 h	- kWh

## Product Data

Order product name	8PAR30S/MC/930/F40/IA/120V 6/1FB
EAN/UPC - Product	046677553692
Order code	553693
Numerator - Quantity Per Pack	1
Numerator - Packs per outer box	6
Material Nr. (12NC)	929002255004
Net Weight (Piece)	0.220 kg
Model Number	9290022550

## Dimensional drawing

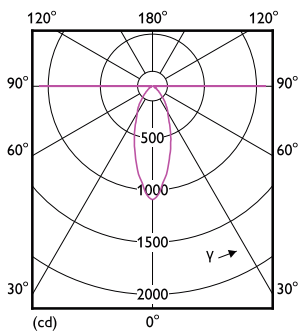


PAR30s 120V 9-75W 850lm 40D 3000K E26 D

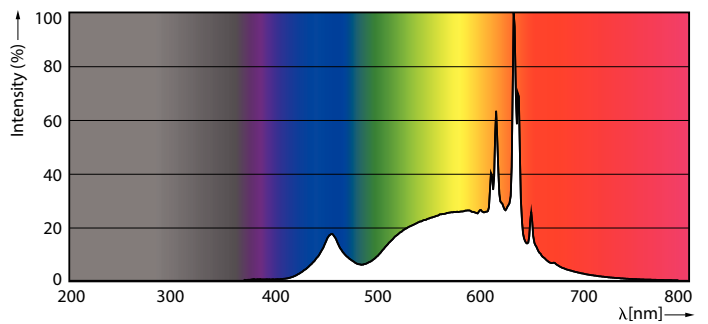
## Product

8PAR30S/MC/930/F40/IA/120V 6/1FB

## Photometric data



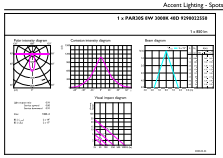
LEDspots MAS G1 8W PAR30L E26 930 40D



LEDspots MAS G1 8W PAR30L E26 930 25D

# MasterConnect LED PAR

## Photometric data



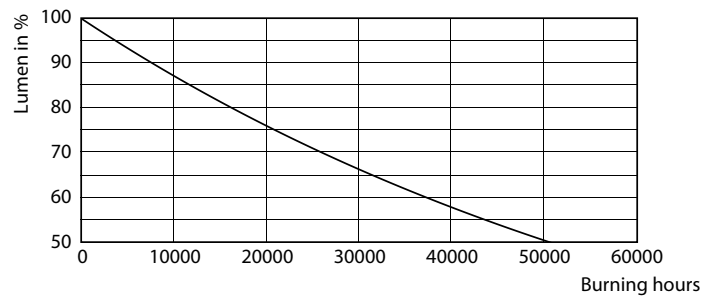
© 2021 Philips Lighting B.V. Page 11

### LEDspots MAS G1 8W PAR30S E26 930 40D

## Lifetime



### LEDspots LED 25K



### LEDspots LMP 25K

