



MasterConnect LED PAR

8PAR30S/MC/930/F25/IA/120V 6/1FB

Introducing MasterConnect LED lamps - smart retrofit LED lamps that give you an easy and seamless way to upgrade to connected lighting. Simply set up with an intuitive app, MasterConnect LED lamps can be programmed to maximize energy savings, while providing wireless and automated light for your comfort and convenience. What's more, it is fully scalable and upgradable. If you want to enjoy further benefits such as remote control or management dashboard, you can simply keep the currently installed lamps and add a gateway to experience all the advantages of a cloud-based system. There's no better way to take lighting solutions to the next level.

Product data

General Information		Color Rendering Index (Nom)	
Base	E26 [Single Contact Medium Screw]		90
EU RoHS compliant	Yes	LLMF At End Of Nominal Lifetime (Nom)	70 %
Nominal Lifetime (Nom)	25000 h	Operating and Electrical	
Switching Cycle	50000X	Input Frequency	50 to 60 Hz
Technical Type	8-75W	Power (Rated) (Nom)	8 W
Light Technical		Lamp Current (Nom)	75 mA
Color Code	930 [CCT of 3000K]	Starting Time (Nom)	0.5 s
Beam Angle (Nom)	25 °	Warm Up Time to 60% Light (Nom)	0.5 s
Initial lumen (Nom)	850 lm	Power Factor (Nom)	0.9
Luminous Intensity (Nom)	2910 cd	Voltage (Nom)	120 V
Color Designation	White (WH)	Temperature	
Correlated Color Temperature (Nom)	3000 K	T-Case Maximum (Nom)	70 °C
Luminous Efficacy (rated) (Nom)	106.00 lm/W		
Color Consistency	<4		

MasterConnect LED PAR

Controls and Dimming

Dimmable Wireless Dim

Mechanical and Housing

Product Length 4 in

Bulb Shape PAR30S [PAR 3.75 inch/95mm Short]

Approval and Application

Energy Saving Product Yes

Approbation Marks RoHS compliance Energy Star

Energy Consumption kWh/1000 h - kWh

Product Data

Order product name 8PAR30S/MC/930/F25/IA/120V 6/1FB

EAN/UPC - Product 046677553661

Order code 553669

Numerator - Quantity Per Pack 1

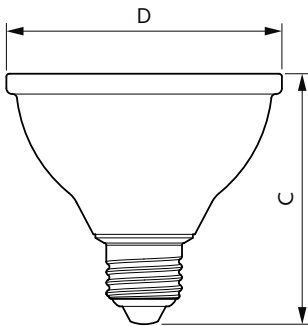
Numerator - Packs per outer box 6

Material Nr. (12NC) 929002254704

Net Weight (Piece) 0.220 kg

Model Number 9290022547

Dimensional drawing

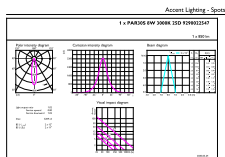


PAR30s 120V 9-75W 850lm 25D 3000K E26 D

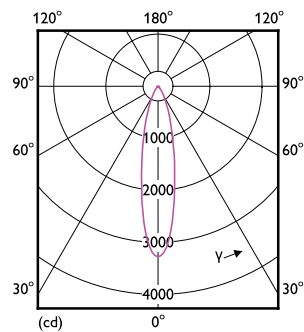
Product

8PAR30S/MC/930/F25/IA/120V 6/1FB

Photometric data



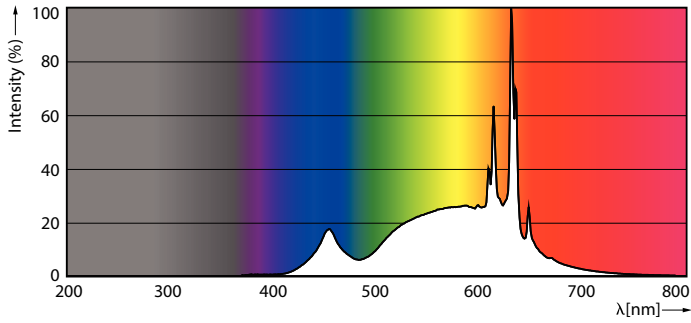
LEDspots MAS G1 8W PAR30S E26 930 25D



LEDspots MAS G1 8W PAR30L E26 930 25D

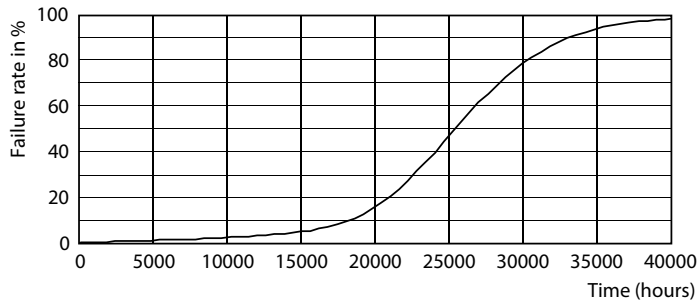
MasterConnect LED PAR

Photometric data

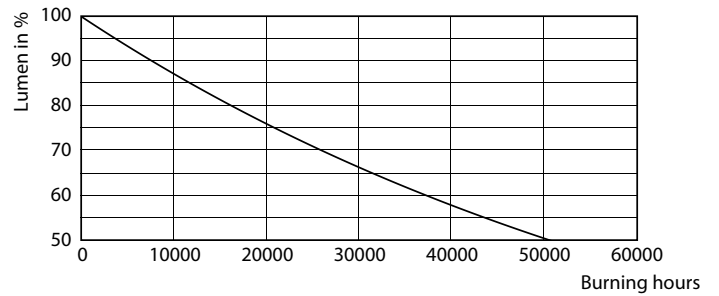


LEDspots MAS G1 8W PAR30L E26 930 25D

Lifetime



LEDspots LED 25K



LEDspots LMP 25K

