



LED AR111

16AR111/LED/927/F25/DIM/EC 12V FB 6/1

With an elegant new design, Philips MasterClass LED AR111 creates a brilliant visual effect. With excellent rendering of 90+ CRI and R9>50, colors stay vibrant and natural, enhancing the appeal of everything on display.

Product data

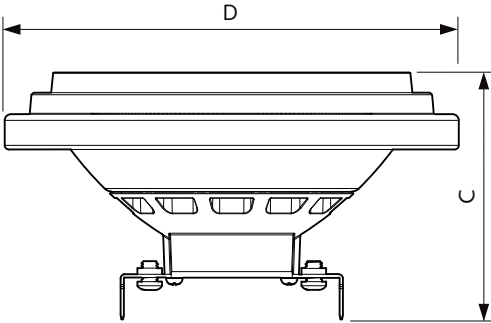
General Information	
Base	G53 [G53]
EU RoHS compliant	Yes
Nominal Lifetime (Nom)	40000 h
Switching Cycle	50000X
Technical Type	16-75W
Light Technical	
Color Code	927 [CCT of 2700K]
Beam Angle (Nom)	25 °
Initial lumen (Nom)	900 lm
Luminous Intensity (Nom)	3500 cd
Color Designation	Warm White (WW)
Correlated Color Temperature (Nom)	2700 K
Luminous Efficacy (rated) (Nom)	56.00 lm/W
Color Consistency	<4
Color Rendering Index (Nom)	97
LLMF At End Of Nominal Lifetime (Nom)	70 %
Operating and Electrical	
Input Frequency	- Hz
Power (Rated) (Nom)	16 W
Lamp Current (Nom)	1800 mA
Wattage Equivalent	75 W

Starting Time (Nom)	0.5 s
Warm Up Time to 60% Light (Nom)	0.5 s
Power Factor (Nom)	0.7
Voltage (Nom)	ac electronic 12 V
Temperature	
T-Case Maximum (Nom)	74 °C
Controls and Dimming	
Dimmable	Yes
Mechanical and Housing	
Bulb Shape	AR111
Approval and Application	
Suitable For Accent Lighting	Yes
Energy Consumption kWh/1000 h	- kWh
Product Data	
Order product name	16AR111/LED/927/F25/DIM/EC 12V FB 6/1
EAN/UPC - Product	046677552411
Order code	552414
Numerator - Quantity Per Pack	1
Numerator - Packs per outer box	6

LED AR111

Material Nr. (12NC)	929002239004
Net Weight (Piece)	0.160 kg

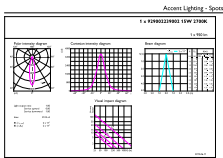
Dimensional drawing



AR111 12V 15-75W 900lm 24D 2700K G53 D

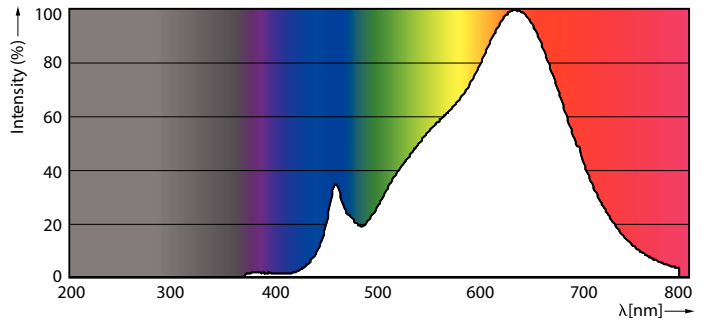
Product	D	C
16AR111/LED/927/F25/DIM/EC 12V FB 6/1	111 mm	62 mm

Photometric data

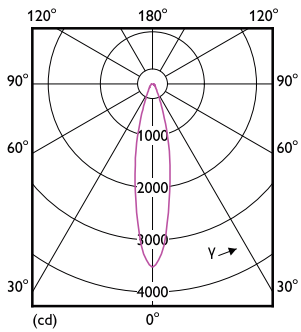


Access Lighting - Spots
1. PHOTOGRAPHY 100-0100
Access Lighting BV
Page 1/1

LEDspots 75W G53 AR111 927 24D



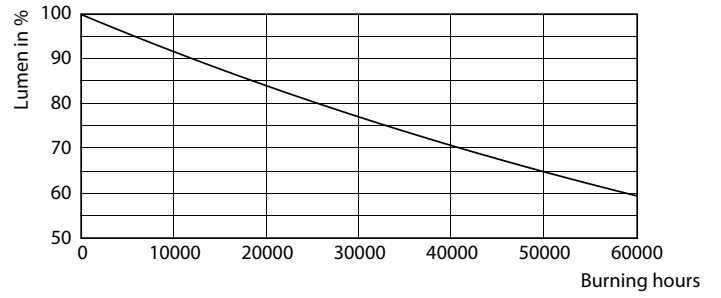
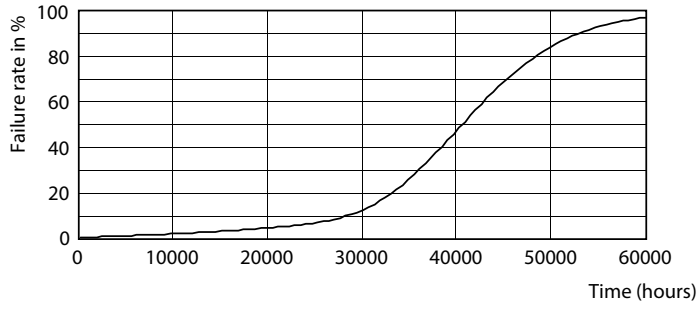
LEDspots 75W G53 AR111 927



LEDspots 75W G53 AR111 927 24D

LED AR111

Lifetime



LEDspots LED 40K

LEDspots LMP 40K

