



LED AR111

12AR111/LED/930/S8/DIM/EC 12V 6/1FB

With an elegant new design, Philips MasterClass LED AR111 creates a brilliant visual effect. With excellent rendering of 90+ CRI and R9>50, colors stay vibrant and natural, enhancing the appeal of everything on display.

Product data

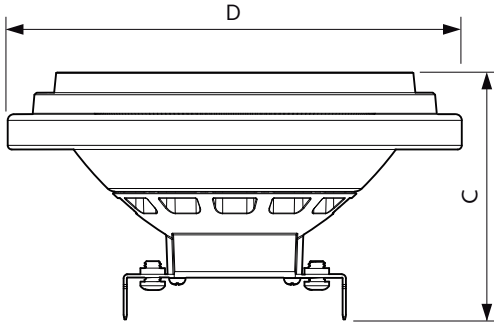
General Information	
Base	G53 [G53]
EU RoHS compliant	Yes
Nominal Lifetime (Nom)	40000 h
Switching Cycle	50000X
Technical Type	12-50W
Light Technical	
Color Code	930 [CCT of 3000K]
Beam Angle (Nom)	8 °
Initial lumen (Nom)	680 lm
Luminous Intensity (Nom)	8000 cd
Color Designation	White (WH)
Correlated Color Temperature (Nom)	3000 K
Luminous Efficacy (rated) (Nom)	56.00 lm/W
Color Consistency	<4
Color Rendering Index (Nom)	97
LLMF At End Of Nominal Lifetime (Nom)	70 %
Operating and Electrical	
Input Frequency	- Hz
Power (Rated) (Nom)	12 W
Lamp Current (Nom)	1300 mA
Wattage Equivalent	50 W

Starting Time (Nom)	0.5 s
Warm Up Time to 60% Light (Nom)	0.5 s
Power Factor (Nom)	0.7
Voltage (Nom)	ac electronic 12 V
Temperature	
T-Case Maximum (Nom)	70 °C
Controls and Dimming	
Dimmable	Yes
Mechanical and Housing	
Bulb Shape	AR111
Approval and Application	
Suitable For Accent Lighting	Yes
Energy Consumption kWh/1000 h	- kWh
Product Data	
Order product name	12AR111/LED/930/S8/DIM/EC 12V 6/1FB
EAN/UPC - Product	046677552404
Order code	552406
Numerator - Quantity Per Pack	1
Numerator - Packs per outer box	6

LED AR111

Material Nr. (12NC)	929002238504
Net Weight (Piece)	0.160 kg

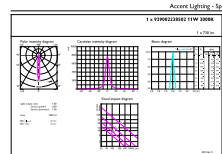
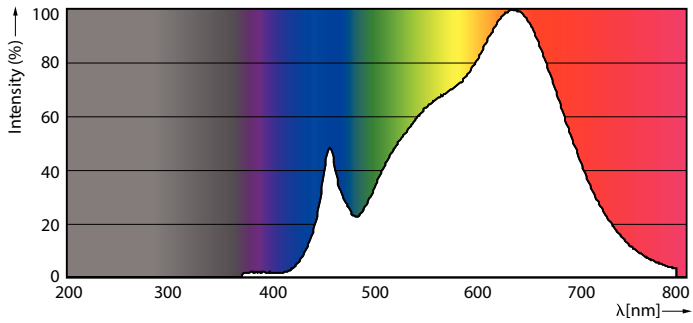
Dimensional drawing



AR111 12V 11-50W 650lm 8D 3000K G53 D

Product	D	C
12AR111/LED/930/S8/DIM/EC 12V 6/1FB	111 mm	62 mm

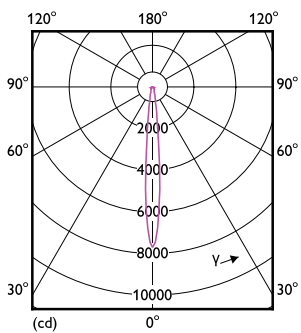
Photometric data



Accuracy: Photometric: 1% Accuracy: Lighting: 1% Page: 1/1

LEDspots 50W G53 AR111 930

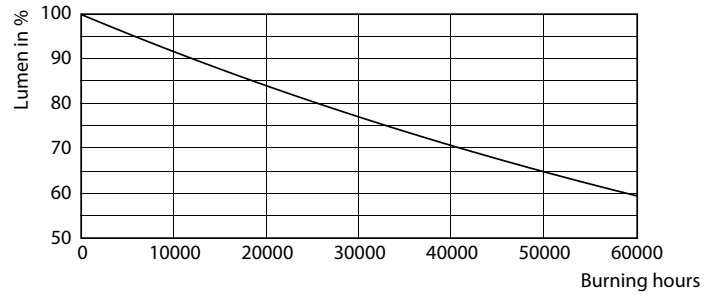
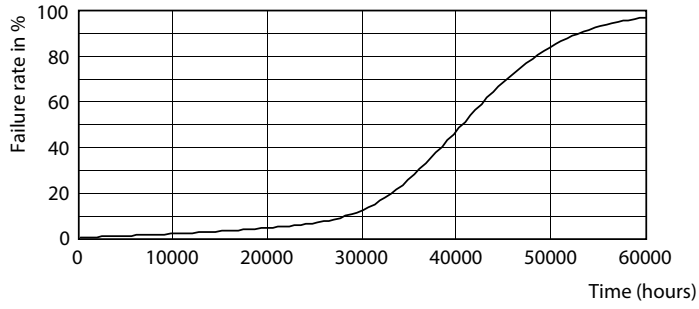
LEDspots 50W G53 AR111 930 8D



LEDspots 50W G53 AR111 930 8D

LED AR111

Lifetime



LEDspots LED 40K

LEDspots LMP 40K

