



LED AR111

12AR111/LED/927/S8/DIM/EC 12V 6/1FB

With an elegant new design, Philips MasterClass LED AR111 creates a brilliant visual effect. With excellent rendering of 90+ CRI and R9>50, colors stay vibrant and natural, enhancing the appeal of everything on display.

Product data

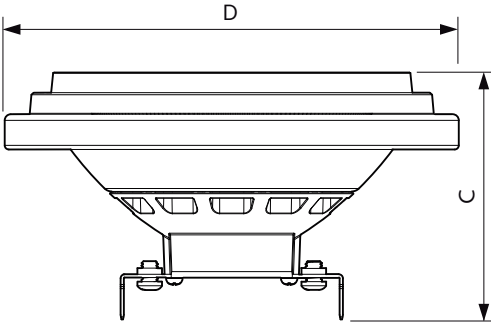
General Information	
Base	G53 [G53]
EU RoHS compliant	Yes
Nominal Lifetime (Nom)	40000 h
Switching Cycle	50000X
Technical Type	12-50W
Light Technical	
Color Code	927 [CCT of 2700K]
Beam Angle (Nom)	8 °
Initial lumen (Nom)	650 lm
Luminous Intensity (Nom)	8000 cd
Color Designation	Warm White (WW)
Correlated Color Temperature (Nom)	2700 K
Luminous Efficacy (rated) (Nom)	54.00 lm/W
Color Consistency	<4
Color Rendering Index (Nom)	97
LLMF At End Of Nominal Lifetime (Nom)	70 %
Operating and Electrical	
Input Frequency	- Hz
Power (Rated) (Nom)	12 W
Lamp Current (Nom)	1300 mA
Wattage Equivalent	50 W

Starting Time (Nom)	0.5 s
Warm Up Time to 60% Light (Nom)	0.5 s
Power Factor (Nom)	0.7
Voltage (Nom)	ac electronic 12 V
Temperature	
T-Case Maximum (Nom)	70 °C
Controls and Dimming	
Dimmable	Yes
Mechanical and Housing	
Bulb Shape	AR111
Approval and Application	
Suitable For Accent Lighting	Yes
Energy Consumption kWh/1000 h	- kWh
Product Data	
Order product name	12AR111/LED/927/S8/DIM/EC 12V 6/1FB
EAN/UPC - Product	04667752442
Order code	552448
Numerator - Quantity Per Pack	1
Numerator - Packs per outer box	6

LED AR111

Material Nr. (12NC)	929002238404
Net Weight (Piece)	0.160 kg

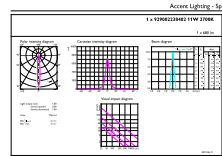
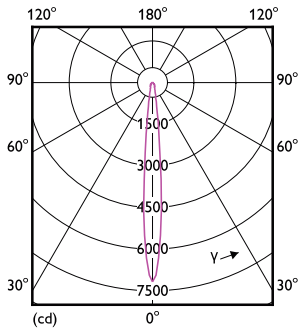
Dimensional drawing



AR111 12V 11-50W 650lm 8D 2700K G53 D

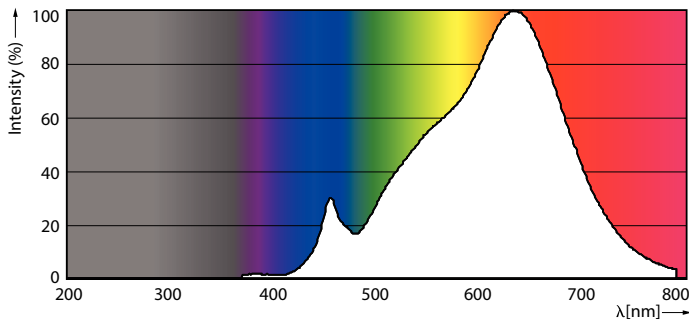
Product	D	C
12AR111/LED/927/S8/DIM/EC 12V 6/1FB	111 mm	62 mm

Photometric data



LEDspots 50W G53 AR111 927 8D

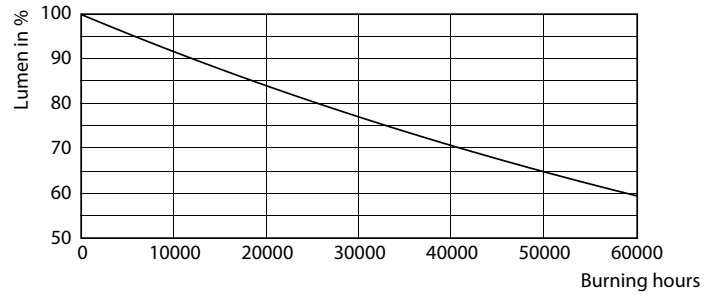
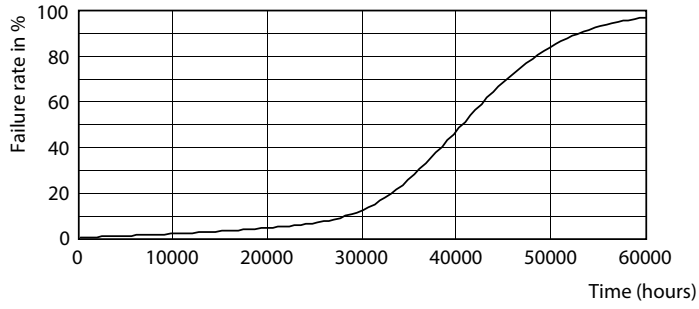
LEDspots 50W G53 AR111 927 8D



LEDspots 50W G53 AR111 927

LED AR111

Lifetime



LEDspots LED 40K

LEDspots LMP 40K

