

# LED A15

## 5.5A15/PER/927-922/CL/G/E12/WGX1FB

Philips A15 LED Lamps offer energy saving ambience with an elegant effect. Their unique design provides light in all directions, giving lighting designers a long life alternative to standard incandescent sources.

### Product data

General Information	
Base	E12 [ Candelabra Screw]
EU RoHS compliant	Yes
Nominal Lifetime (Nom)	15000 h
Switching Cycle	20000X
Technical Type	5.5-60W

Light Technical	
Color Code	927-922 [ CCT of 2700K-2200K]
Initial lumen (Nom)	500 lm
Color Designation	Warm Glow(WG)
Correlated Color Temperature (Nom)	- K
Luminous Efficacy (rated) (Nom)	90.00 lm/W
Color Consistency	<4
Color Rendering Index (Nom)	90
LLMF At End Of Nominal Lifetime (Nom)	70 %

Operating and Electrical	
Input Frequency	50 to 60 Hz
Power (Rated) (Nom)	5.5 W
Lamp Current (Nom)	60 mA
Wattage Equivalent	60 W
Starting Time (Nom)	0.5 s
Warm Up Time to 60% Light (Nom)	0.5 s

Power Factor (Nom)	0.75
Voltage (Nom)	120 V

Temperature	
T-Case Maximum (Nom)	60 °C

Controls and Dimming	
Dimmable	Yes

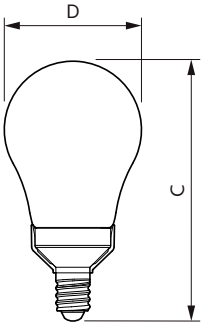
Mechanical and Housing	
Bulb Finish	Clear

Approval and Application	
Energy Efficiency Label (EEL)	Not applicable
Energy Consumption kWh/1000 h	- kWh

Product Data	
Order product name	5.5A15/PER/927-922/CL/G/E12/WGX1FB
EAN/UPC - Product	046677549398
Order code	549394
Numerator - Quantity Per Pack	1
Numerator - Packs per outer box	10
Material Nr. (12NC)	929002208404
Net Weight (Piece)	0.020 kg

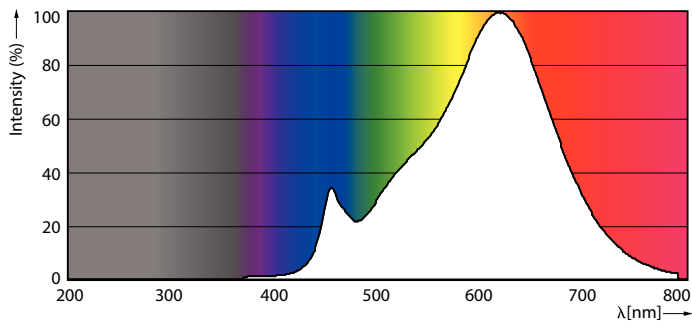
# LED A15

## Dimensional drawing

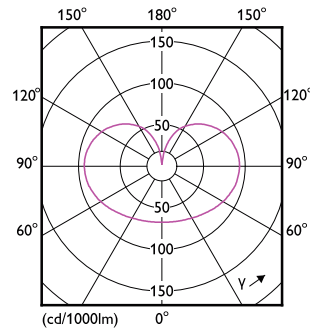


BulbA15120V5.5-60W500lm2700-2200KE12DCL

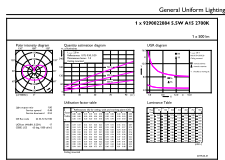
## Photometric data



LEDbulb CL,FR 927



LEDbulb 927 FR,CL

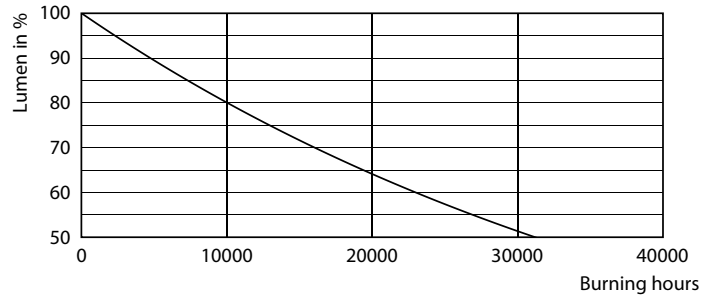
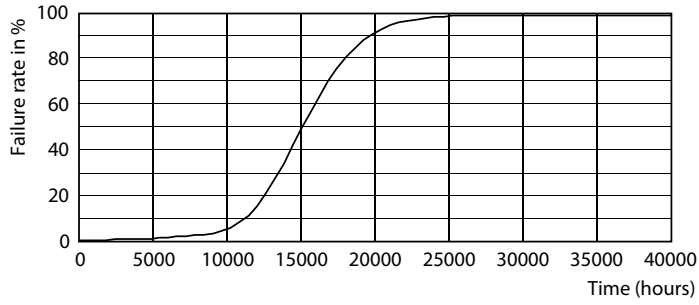


General Uniform Lightings  
1 x 120V/220V-60W A15 2700K  
Page 1/1

LEDbulb 60W E12 A15 927 CL

# LED A15

## Lifetime



15K LED

15K LMP

