



LED Designer Deco

26UFO/PER/830/FR/P/E26/ND 4/1PF

Philips LED Designer Deco lamps allow you to maintain a warm, classic light or a modern, chic effect while providing longer life and energy savings

Product data

General Information	
Base	E26 [Single Contact Medium Screw]
EU RoHS compliant	Yes
Nominal Lifetime (Nom)	15000 h
Switching Cycle	50000X
Technical Type	26-125W

Light Technical	
Color Code	830 [CCT of 3000K]
Beam Angle (Nom)	120 °
Initial lumen (Nom)	1950 lm
Color Designation	White (WH)
Correlated Color Temperature (Nom)	3000 K
Luminous Efficacy (rated) (Nom)	75.00 lm/W
Color Consistency	<6
Color Rendering Index (Nom)	80
LLMF At End Of Nominal Lifetime (Nom)	70 %

Operating and Electrical	
Input Frequency	50 to 60 Hz
Power (Rated) (Nom)	26 W
Lamp Current (Nom)	360 mA
Wattage Equivalent	125 W
Starting Time (Nom)	0.5 s
Warm Up Time to 60% Light (Nom)	0.5 s

Power Factor (Nom)	0.5
Voltage (Nom)	110-240 V

Temperature	
T-Case Maximum (Nom)	72 °C

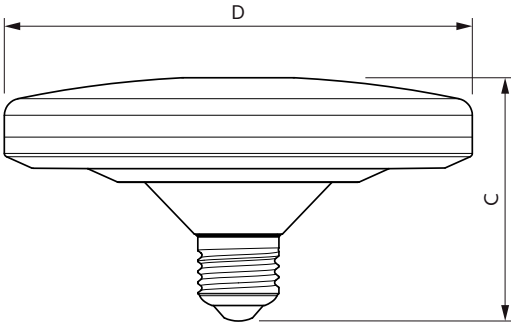
Controls and Dimming	
Dimmable	No

Mechanical and Housing	
Bulb Finish	Frosted
Bulb Shape	Others

Approval and Application	
Energy Consumption kWh/1000 h	- kWh

Product Data	
Order product name	26UFO/PER/830/FR/P/E26/ND 4/1PF
EAN/UPC - Product	046677561666
Order code	561662
Numerator - Quantity Per Pack	1
Numerator - Packs per outer box	4
Material Nr. (12NC)	929002010703
Net Weight (Piece)	0.255 kg

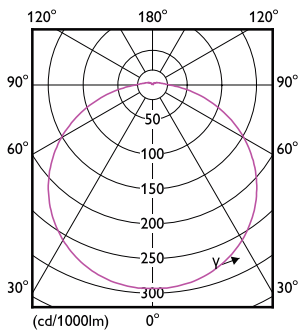
Dimensional drawing



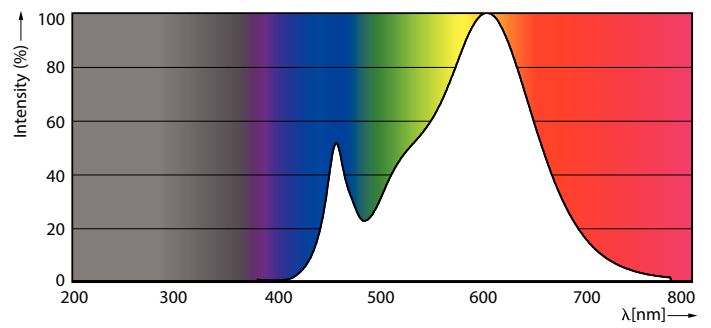
Bulb 110-240V 24-W 2200lm 3000K E26 ND

Product	D	C
26UFO/PER/830/FR/P/E26/ND 4/1PF	200 mm	77 mm

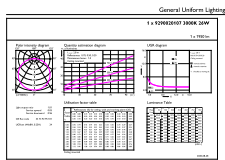
Photometric data



LEDbulb UFO 26W Others E26 830 FR



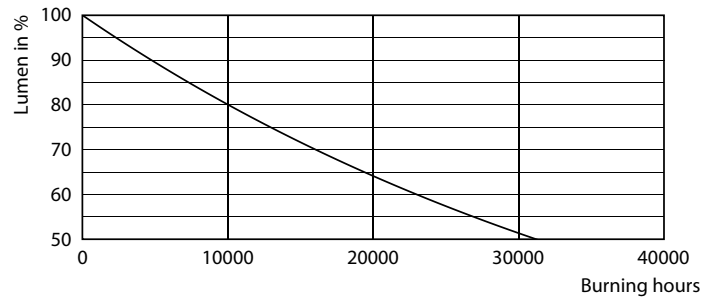
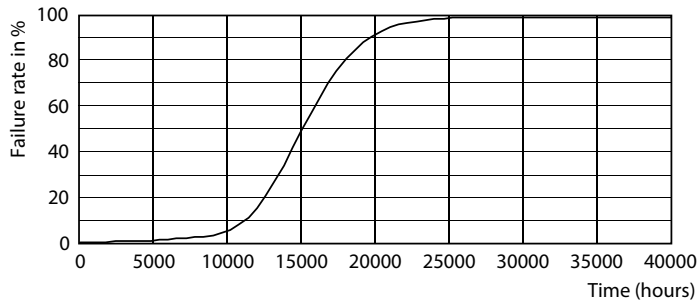
LEDbulb UFO 26W Others E26 830 FR



LEDbulb UFO 26W Others E26 830 FR

LED Designer Deco

Lifetime



15K LED

15K LMP

