



LED Designer Deco

16UFO/PER/830/FR/P/E26/ND 4/1PF

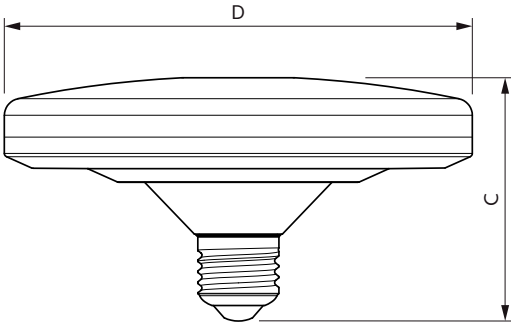
Philips LED Designer Deco lamps allow you to maintain a warm, classic light or a modern, chic effect while providing longer life and energy savings

Product data

General information	
Base	E26 [Single Contact Medium Screw]
EU RoHS compliant	Yes
Nominal Lifetime (Nom)	15000 h
Switching Cycle	50000X
Technical Type	16-75W
Light technical	
Color Code	830 [CCT of 3000K]
Beam Angle (Nom)	120 °
Initial lumen (Nom)	1150 lm
Color Designation	White (WH)
Correlated Color Temperature (Nom)	3000 K
Luminous Efficacy (rated) (Nom)	71.00 lm/W
Color Consistency	<6
Color Rendering Index (Nom)	80
LLMF At End Of Nominal Lifetime (Nom)	70 %
Operating and electrical	
Input Frequency	50 to 60 Hz
Power (Rated) (Nom)	16 W
Lamp Current (Nom)	230 mA
Wattage Equivalent	75 W
Starting Time (Nom)	0.5 s
Warm Up Time to 60% Light (Nom)	0.5 s

Power Factor (Nom)	0.5
Voltage (Nom)	110-240 V
Temperature	
T-Case Maximum (Nom)	75 °C
Controls and dimming	
Dimmable	No
Mechanical and housing	
Bulb Finish	Frosted
Bulb Shape	Others
Approval and application	
Energy Consumption kWh/1000 h	- kWh
Product data	
Order product name	16UFO/PER/830/FR/P/E26/ND 4/1PF
EAN/UPC - Product	046677561659
Order code	561654
Numerator - Quantity Per Pack	1
Numerator - Packs per outer box	4
Material Nr. (12NC)	929002010503
Net Weight (Piece)	0.138 kg

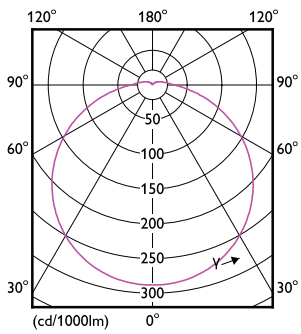
Dimensional drawing



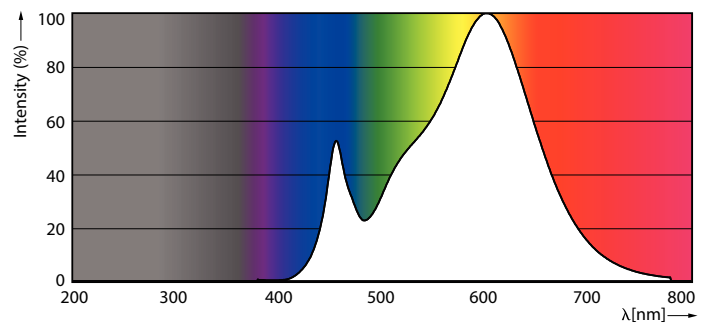
16UFO/PER/830/FR/P/E26/ND 4/1PF

Product	D	C
16UFO/PER/830/FR/P/E26/ND 4/1PF	150 mm	77 mm

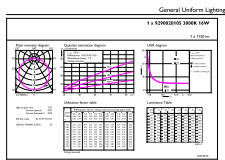
Photometric data



LEDbulb UFO 16W Others E26 830 FR



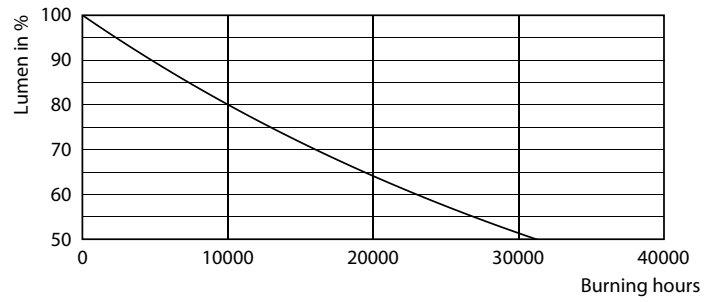
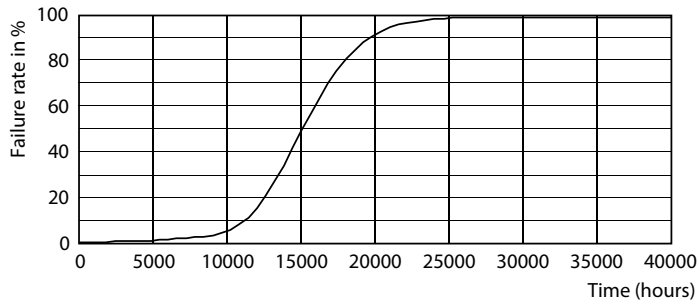
LEDbulb UFO 16W Others E26 830 FR



LEDbulb UFO 16W Others E26 830 FR

LED Designer Deco

Lifetime



15K LED

15K LMP

