



# TrueForce High Lumen PAR

## 23PAR30s/PER/930/S15/ND/120V 6/1FB

Philips LED TrueForce PAR high lumen lamps are the perfect transition from CDM lamps to LED.

### Product data

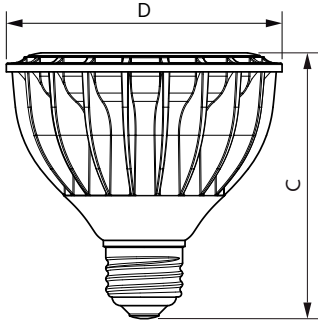
General Information		Lamp Current (Nom)	
Base	E26 [ Single Contact Medium Screw]		206 mA
EU RoHS compliant	Yes	Wattage Equivalent	75 W
Nominal Lifetime (Nom)	25000 h	Starting Time (Nom)	0.5 s
Switching Cycle	50000X	Warm Up Time to 60% Light (Nom)	0.5 s
Technical Type	23-75W	Power Factor (Nom)	0.9
		Voltage (Nom)	120 V
Light Technical		Temperature	
Color Code	930 [ CCT of 3000K]	T-Case Maximum (Nom)	94 °C
Beam Angle (Nom)	15 °		
Initial lumen (Nom)	1900 lm	Controls and Dimming	
Luminous Intensity (Nom)	12000 cd	Dimmable	No
Color Designation	White (WH)	Mechanical and Housing	
Correlated Color Temperature (Nom)	3000 K	Bulb Shape	PAR30S [ PAR 3.75 inch/95mm Short]
Luminous Efficacy (rated) (Nom)	82.00 lm/W	Approval and Application	
Color Consistency	<4	Suitable For Accent Lighting	Yes
Color Rendering Index (Nom)	90	Energy Consumption kWh/1000 h	- kWh
LLMF At End Of Nominal Lifetime (Nom)	70 %	Product Data	
Operating and Electrical		Order product name	23PAR30s/PER/930/S15/ND/120V 6/1FB
Input Frequency	50 to 60 Hz		
Power (Rated) (Nom)	23 W		

# TrueForce High Lumen PAR

EAN/UPC - Product	046677534684
Order code	534685
Numerator - Quantity Per Pack	1
Numerator - Packs per outer box	6

Material Nr. (12NC)	929001917404
Net Weight (Piece)	0.220 kg

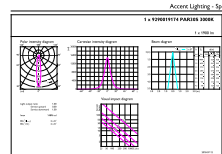
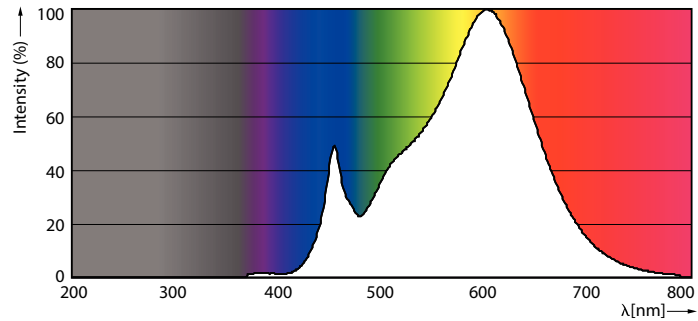
## Dimensional drawing



PAR30s 24.5-W 2000lm 15D 3000K E26 ND

Product	D	C
23PAR30s/PER/930/S15/ND/120V 6/1FB	96 mm	94 mm

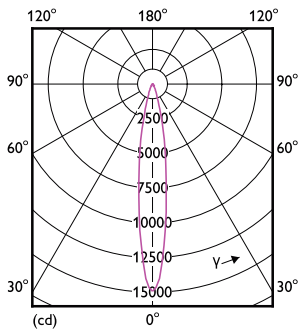
## Photometric data



Access Lighting - Spot

LEDspot PAR30 1FB

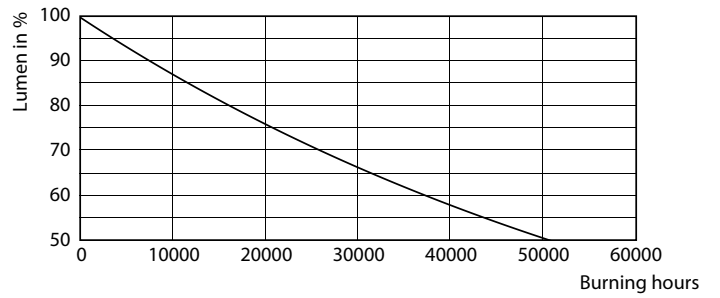
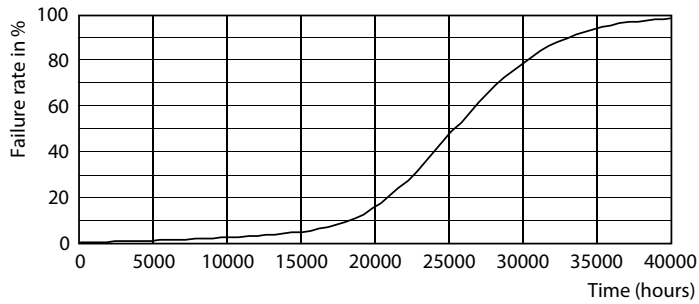
LEDspot 23 PAR30L 930 S15



LEDspot 23 PAR30L 930 S15

# TrueForce High Lumen PAR

## Lifetime



LEDspot PAR30 1FB

LEDspot PAR30 1FB

