



# LED MR16

## 7.8MR16/PER/930/F25/Dim/EC/12V 10/1FB

Philips LED MR-16 lamps with single optic technology provide the look and color quality of traditional halogens while using a fraction of the energy. A perfect fit for spot lighting, they are compatible with most existing fixtures with MR16 GU5.3 holders and are designed as a retrofit replacement for halogen or incandescent spots.

### Product data

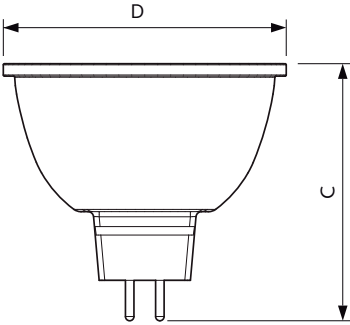
General Information		Lamp Current (Nom)	
Base	GU5.3 [ GU5.3]	Lamp Current (Nom)	880 mA
EU RoHS compliant	Yes	Wattage Equivalent	50 W
Nominal Lifetime (Nom)	25000 h	Starting Time (Nom)	0.5 s
Switching Cycle	50000X	Warm Up Time to 60% Light (Nom)	0.5 s
Technical Type	7.8-50W	Power Factor (Nom)	0.7
		Voltage (Nom)	ac electronic 12 V
Light Technical		Temperature	
Color Code	930 [ CCT of 3000K]	T-Case Maximum (Nom)	105 °C
Beam Angle (Nom)	25 °		
Initial lumen (Nom)	480 lm	Controls and Dimming	
Luminous Intensity (Nom)	2330 cd	Dimmable	Yes
Color Designation	White (WH)		
Correlated Color Temperature (Nom)	3000 K	Mechanical and Housing	
Luminous Efficacy (rated) (Nom)	61.00 lm/W	Bulb Shape	MR16 [ 2inch/50mm]
Color Consistency	<3		
Color Rendering Index (Nom)	95	Approval and Application	
LLMF At End Of Nominal Lifetime (Nom)	70 %	Suitable For Accent Lighting	Yes
		Energy Consumption kWh/1000 h	- kWh
Operating and Electrical		Product Data	
Input Frequency	- Hz	Order product name	7.8MR16/PER/930/F25/Dim/EC/12V 10/1FB
Power (Rated) (Nom)	7.8 W		

# LED MR16

EAN/UPC - Product	046677470173
Order code	470179
Numerator - Quantity Per Pack	1
Numerator - Packs per outer box	10

Material Nr. (12NC)	929001872904
Net Weight (Piece)	0.056 kg

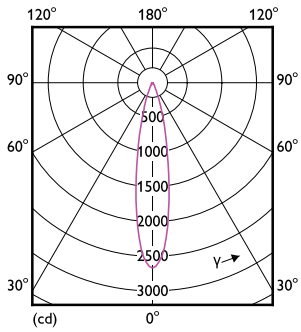
## Dimensional drawing



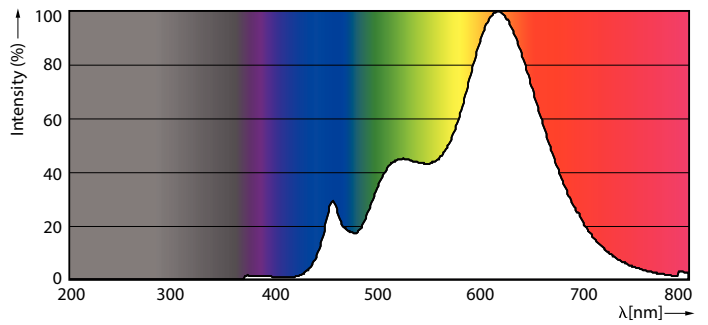
MR16 12V 7.5-50W 480lm 25D 3000K GU5.3 D

Product	D	C
7.8MR16/PER/930/F25/Dim/EC/12V 10/1FB	51 mm	46 mm

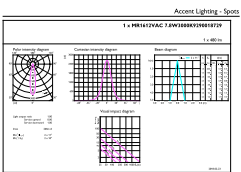
## Photometric data



LEDspot 7.8W GU5.3 MR16 927 25D DIM



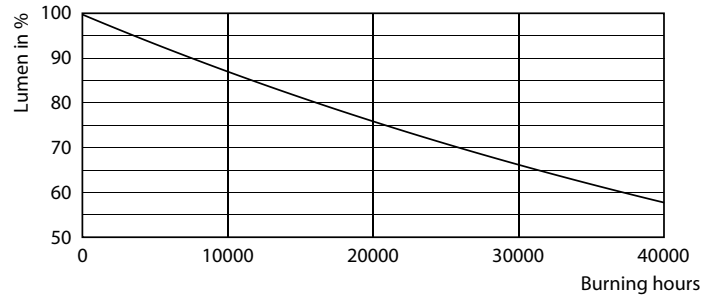
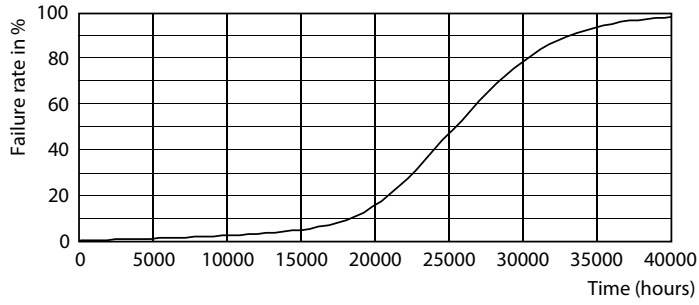
LEDspot 7.8W GU5.3 MR16 930 10D DIM



LEDspot 7.8W GU5.3 MR16 930 25D DIM

# LED MR16

## Lifetime



LEDspot 7.8W GU5.3 MR16 927 10D DIM

LEDspot 7.8W GU5.3 MR16 927 10D DIM

