



LED MR16

7.8MR16/PER/927/F25/Dim/EC/12V 10/1FB

Philips LED MR-16 lamps with single optic technology provide the look and color quality of traditional halogens while using a fraction of the energy. A perfect fit for spot lighting, they are compatible with most existing fixtures with MR16 GU5.3 holders and are designed as a retrofit replacement for halogen or incandescent spots.

Product data

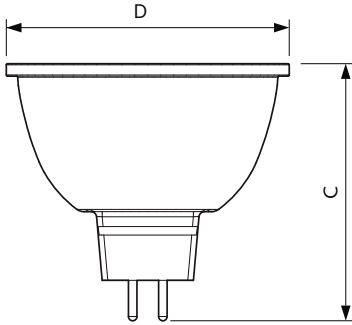
General Information		Lamp Current (Nom)	
Base	GU5.3 [GU5.3]	Lamp Current (Nom)	880 mA
EU RoHS compliant	Yes	Wattage Equivalent	50 W
Nominal Lifetime (Nom)	25000 h	Starting Time (Nom)	0.5 s
Switching Cycle	50000X	Warm Up Time to 60% Light (Nom)	0.5 s
Technical Type	7.8-50W	Power Factor (Nom)	0.7
		Voltage (Nom)	ac electronic 12 V
Light Technical		Temperature	
Color Code	927	T-Case Maximum (Nom)	105 °C
Beam Angle (Nom)	25 °		
Initial lumen (Nom)	480 lm	Controls and Dimming	
Luminous Intensity (Nom)	2330 cd	Dimmable	Yes
Color Designation	Warm White (WW)		
Correlated Color Temperature (Nom)	2700 K	Mechanical and Housing	
Luminous Efficacy (rated) (Nom)	61.00 lm/W	Bulb Shape	MR16 [2inch/50mm]
Color Consistency	<3		
Color Rendering Index (Nom)	95	Approval and Application	
LLMF At End Of Nominal Lifetime (Nom)	70 %	Suitable For Accent Lighting	Yes
		Energy Consumption kWh/1000 h	- kWh
Operating and Electrical		Product Data	
Input Frequency	- Hz	Order product name	7.8MR16/PER/927/F25/Dim/EC/12V 10/1FB
Power (Rated) (Nom)	7.8 W		

LED MR16

EAN/UPC - Product	046677470166
Order code	470161
Numerator - Quantity Per Pack	1
Numerator - Packs per outer box	10

Material Nr. (12NC)	929001872804
Net Weight (Piece)	0.056 kg

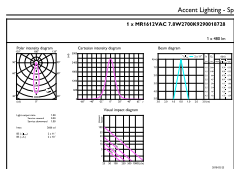
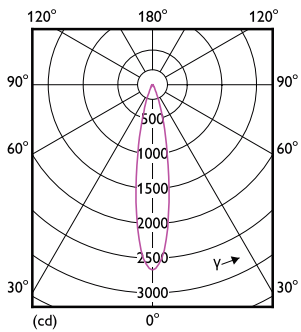
Dimensional drawing



MR16 12V 7.5-50W 465lm 25D 2700K GU5.3 D

Product	D	C
7.8MR16/PER/927/F25/Dim/EC/12V 10/1FB	51 mm	46 mm

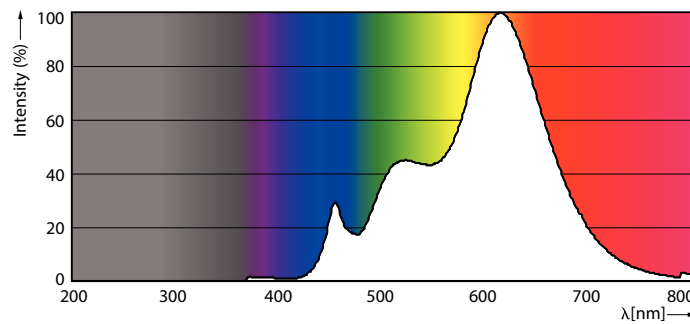
Photometric data



Philips Lighting B.V. Page 1/1

LEDspot 7.8W GU5.3 MR16 927 25D DIM

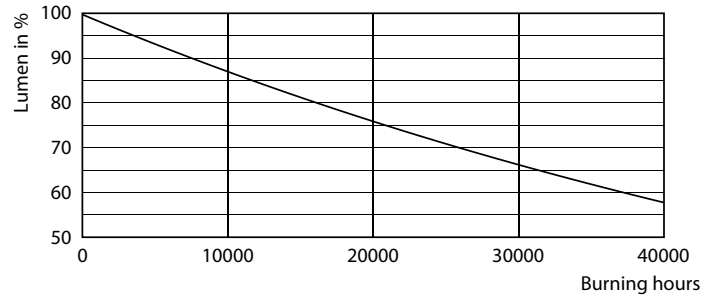
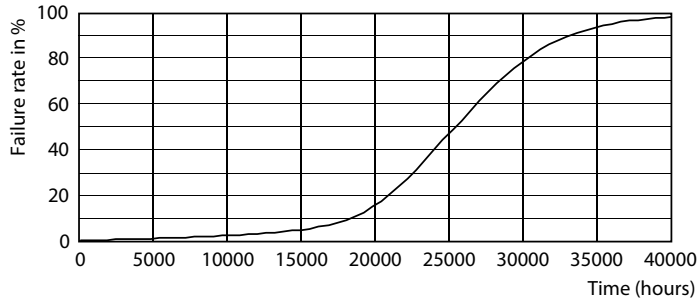
LEDspot 7.8W GU5.3 MR16 927 25D DIM



LEDspot 7.8W GU5.3 MR16 927 10D DIM

LED MR16

Lifetime



LEDspot 7.8W GU5.3 MR16 927 10D DIM

LEDspot 7.8W GU5.3 MR16 927 10D DIM

