



LED MR16

7.8MR16/PER/927/S10/Dim/EC/12V 10/1FB

Philips LED MR-16 lamps with single optic technology provide the look and color quality of traditional halogens while using a fraction of the energy. A perfect fit for spot lighting, they are compatible with most existing fixtures with MR16 GU5.3 holders and are designed as a retrofit replacement for halogen or incandescent spots.

Product data

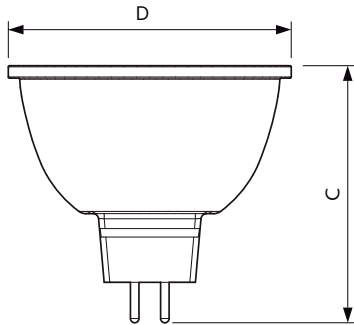
General Information		Lamp Current (Nom)	
Base	GU5.3 [GU5.3]	Lamp Current (Nom)	880 mA
EU RoHS compliant	Yes	Wattage Equivalent	35 W
Nominal Lifetime (Nom)	25000 h	Starting Time (Nom)	0.5 s
Switching Cycle	50000X	Warm Up Time to 60% Light (Nom)	0.5 s
Technical Type	7.8-35W	Power Factor (Nom)	0.7
		Voltage (Nom)	ac electronic 12 V
Light Technical		Temperature	
Color Code	927	T-Case Maximum (Nom)	105 °C
Beam Angle (Nom)	10 °		
Initial lumen (Nom)	480 lm	Controls and Dimming	
Luminous Intensity (Nom)	5300 cd	Dimmable	Yes
Color Designation	Warm White (WW)	Mechanical and Housing	
Correlated Color Temperature (Nom)	2700 K	Bulb Shape	MR16 [2inch/50mm]
Luminous Efficacy (rated) (Nom)	61.00 lm/W	Approval and Application	
Color Consistency	<3	Suitable For Accent Lighting	Yes
Color Rendering Index (Nom)	95	Energy Consumption kWh/1000 h	- kWh
LLMF At End Of Nominal Lifetime (Nom)	70 %	Product Data	
Operating and Electrical		Order product name	7.8MR16/PER/927/S10/Dim/EC/12V 10/1FB
Input Frequency	- Hz		
Power (Rated) (Nom)	7.8 W		

LED MR16

EAN/UPC - Product	046677470135
Order code	470138
Numerator - Quantity Per Pack	1
Numerator - Packs per outer box	10

Material Nr. (12NC)	929001872504
Net Weight (Piece)	0.056 kg

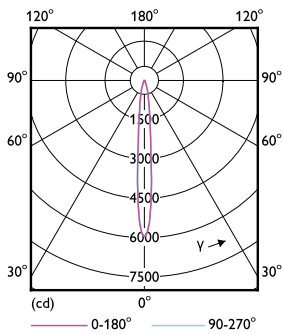
Dimensional drawing



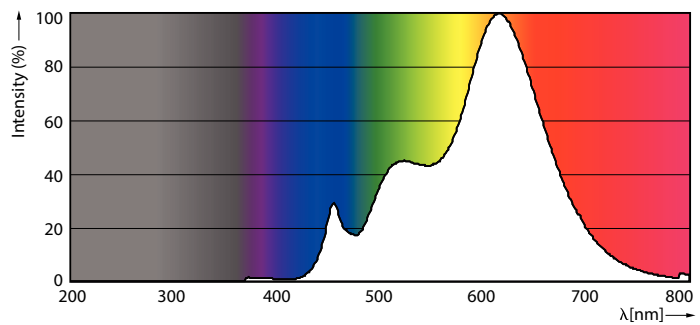
MR16 12V 7.5-35W 465lm 10D 2700K GU5.3 D

Product	D	C
7.8MR16/PER/927/S10/Dim/EC/12V 10/1FB	51 mm	46 mm

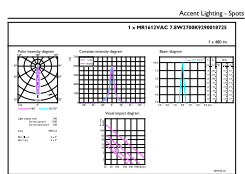
Photometric data



LEDspot 7.8W GU5.3 MR16 927 10D DIM



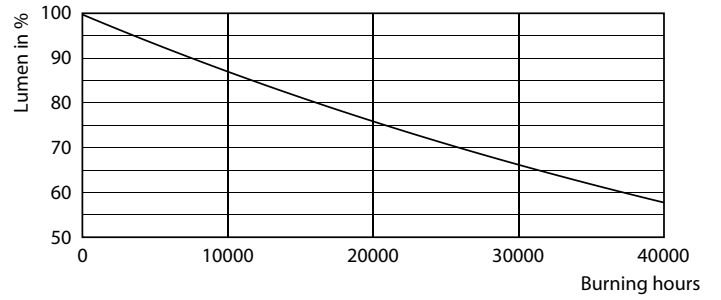
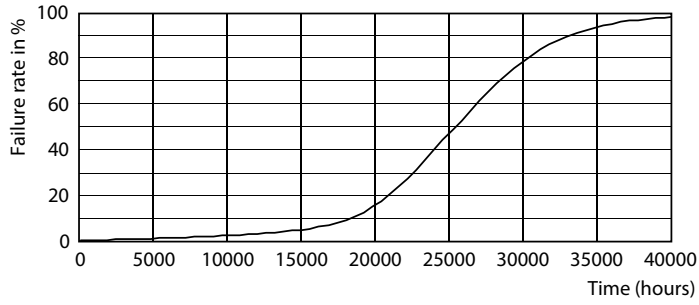
LEDspot 7.8W GU5.3 MR16 927 10D DIM



LEDspot 7.8W GU5.3 MR16 927 10D DIM

LED MR16

Lifetime



LEDspot 7.8W GU5.3 MR16 927 10D DIM

LEDspot 7.8W GU5.3 MR16 927 10D DIM

