



LED PAR30 S/L

12PAR30S/EXPERTCOLOR/F25/940/DIM

Philips LED spots with a single optic beam, provide a clean beam that's free from shadows with beam angles from 15 and 40 degrees to suit every general lighting application.

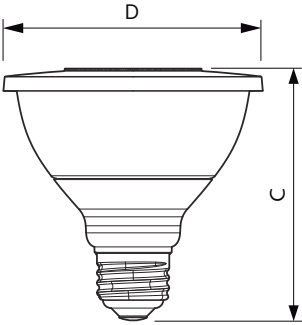
Product data

General Information		Starting Time (Nom)	
Base	E26 [Single Contact Medium Screw]		0.5 s
EU RoHS compliant	Yes	Warm Up Time to 60% Light (Nom)	0.5 s
Nominal Lifetime (Nom)	40000 h	Power Factor (Nom)	0.9
Switching Cycle	50000X	Voltage (Nom)	120 V
Technical Type	12-75W		
Light Technical		Temperature	
Color Code	940 [CCT of 4000K]	T-Case Maximum (Nom)	90 °C
Beam Angle (Nom)	25 °		
Initial lumen (Nom)	950 lm	Controls and Dimming	
Luminous Intensity (Nom)	4800 cd	Dimmable	Yes
Color Designation	Cool White (CW)		
Correlated Color Temperature (Nom)	4000 K	Mechanical and Housing	
Luminous Efficacy (rated) (Nom)	75.00 lm/W	Bulb Shape	PAR30S [PAR 3.75 inch/95mm Short]
Color Consistency	<6		
Color Rendering Index (Nom)	95	Approval and Application	
LLMF At End Of Nominal Lifetime (Nom)	70 %	Suitable For Accent Lighting	Yes
		Energy Consumption kWh/1000 h	- kWh
Operating and Electrical		Product Data	
Input Frequency	60 Hz	Order product name	12PAR30S/EXPERTCOLOR/F25/940/DIM
Power (Rated) (Nom)	12 W	EAN/UPC - Product	046677470937
Lamp Current (Nom)	120 mA	Order code	470930
Wattage Equivalent	75 W	Numerator - Quantity Per Pack	1
		Numerator - Packs per outer box	6

LED PAR30 S/L

Material Nr. (12NC)	929001340704
Net Weight (Piece)	0.220 kg

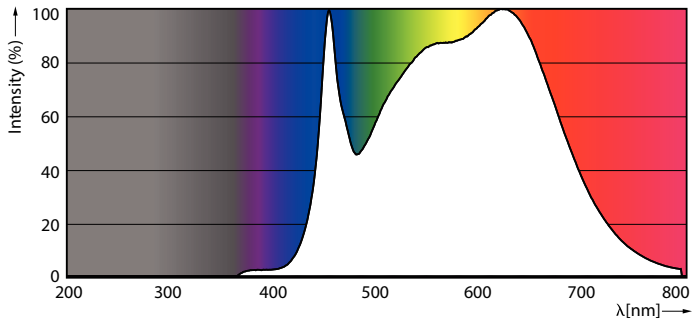
Dimensional drawing



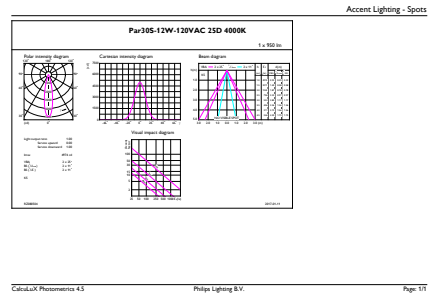
PAR30S 12-90W 950lm 25D 4000K E26 D

Product	D	C
12PAR30S/EXPERTCOLOR/F25/940/DIM	120.7 mm	134.6 mm

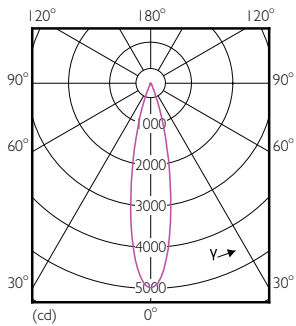
Photometric data



PAR38 17-120W 1250lm 25D 4000K E26 D



PAR30S 12-90W 950lm 25D 4000K E26 D



PAR30S 12W 950lm 25D 2700K E26

LED PAR30 S/L

Lifetime



ExpertColor PAR38 30S 30L Dim 120V Life Expectancy Diagram

ExpertColor PAR38 30S 30L Dim 120V Lumen Maintenance Diagram

