



LED PAR30 S/L

12PAR30S/EXPERTCOLOR/F25/927/DIM B

Philips LED spots with a single optic beam, provide a clean beam that's free from shadows with beam angles from 15 and 40 degrees to suit every general lighting application.

Product data

General information	
Base	E26 [Single Contact Medium Screw]
EU RoHS compliant	Yes
Nominal Lifetime (Nom)	40000 h
Switching Cycle	50000
Technical Type	12-75W
Light technical	
Color Code	927
Beam Angle (Nom)	25 °
Initial lumen (Nom)	850 lm
Luminous Intensity (Nom)	4200 cd
Color Designation	Warm White (WW)
Correlated Color Temperature (Nom)	2700 K
Luminous Efficacy (rated) (Nom)	70.00 lm/W
Color Consistency	<6
Color Rendering Index (Nom)	95
LLMF At End Of Nominal Lifetime (Nom)	70 %
Operating and electrical	
Input Frequency	60 Hz
Power (Rated) (Nom)	12 W
Lamp Current (Nom)	120 mA
Wattage Equivalent	75 W

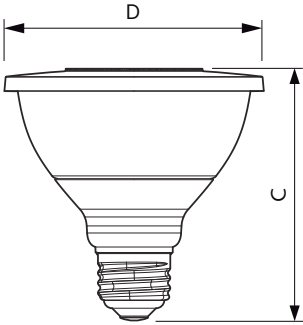
Starting Time (Nom)	0.5 s
Warm Up Time to 60% Light (Nom)	0.5 s
Power Factor (Nom)	0.9
Voltage (Nom)	120 V
Temperature	
T-Case Maximum (Nom)	194 °F
Controls and dimming	
Dimmable	Yes
Mechanical and housing	
Bulb Finish	Clear
Bulb Material	Plastic
Bulb Shape	PAR30S [PAR 3.75 inch/95mm Short]
Approval and application	
Suitable For Accent Lighting	Yes
Energy Consumption kWh/1000 h	- kWh
Energy Certifications	Energy Star
Product data	
Order product name	12PAR30S/EXPERTCOLOR/F25/927/DIM B
EAN/UPC - Product	046677470920

LED PAR30 S/L

Order code	470922
Numerator - Quantity Per Pack	1
Numerator - Packs per outer box	6
Material Nr. (12NC)	929001340604

Net Weight (Piece)	0.485 lb
--------------------	----------

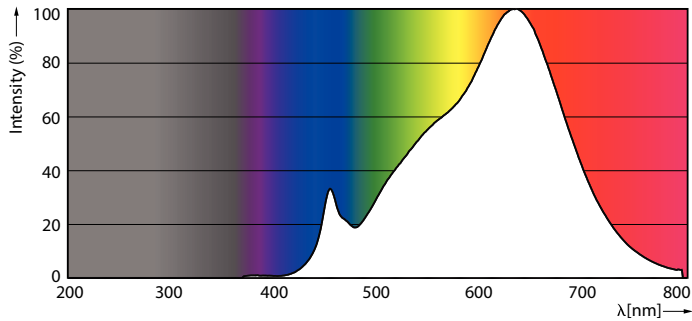
Dimensional drawing



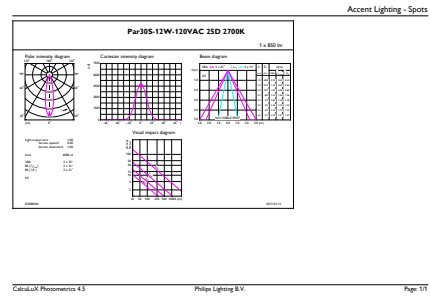
12PAR30S/EXPERTCOLOR/F25/927/DIM B

Product	D	C
12PAR30S/EXPERTCOLOR/F25/927/DIM B	3-3/4 in	4-5/8 in

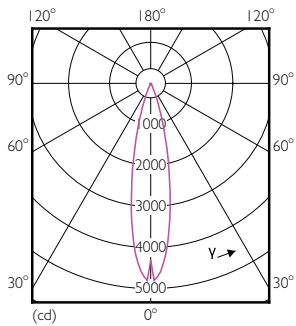
Photometric data



PAR38 120V 17-90W 1150lm 8D 2700K E26 D



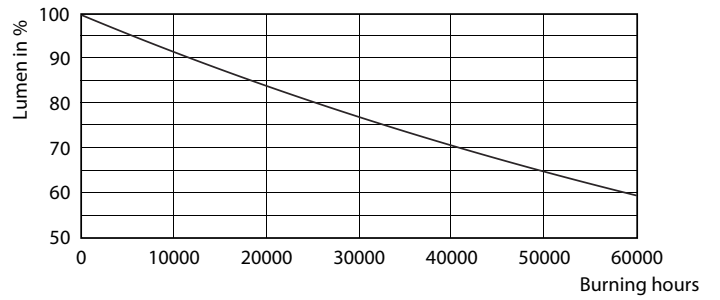
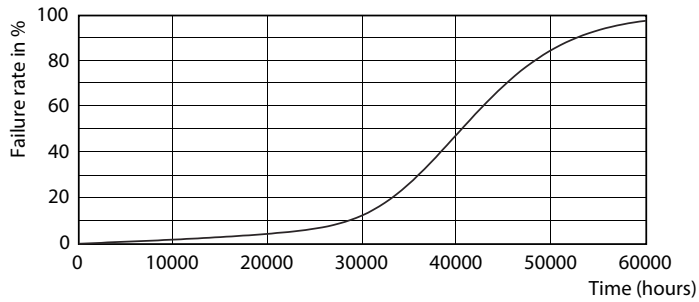
PAR30S 12-90W 850lm 25D 2700K E26 D



PAR30S 12W 850lm 25D 2700K E26

LED PAR30 S/L

Lifetime



ExpertColor PAR38 30S 30L Dim 120V Life Expectancy Diagram

ExpertColor PAR38 30S 30L Dim 120V Lumen Maintenance Diagram

