



# LED A19-A21

## BC10A19/AMB/927/DIM 120V 4/1

Philips A19/A21 LED lamps are the smart alternative to standard incandescent. The unique lamp design provides omni-directional light with excellent dimming performance.

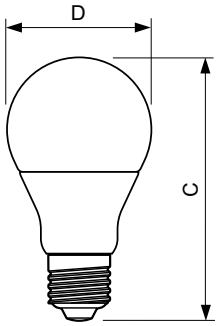
### Product data

General Information	
Base	E26 [ Single Contact Medium Screw]
EU RoHS compliant	Yes
Nominal Lifetime (Nom)	25000 h
Switching Cycle	50000X
Technical Type	10-60 W
Light Technical	
Color Code	927
Initial lumen (Nom)	800 lm
Color Designation	Warm White (WW)
Correlated Color Temperature (Nom)	2700 K
Luminous Efficacy (rated) (Nom)	80.00 lm/W
Color Consistency	<4
Color Rendering Index (Nom)	90
LLMF At End Of Nominal Lifetime (Nom)	70 %
Operating and Electrical	
Input Frequency	60 Hz
Power (Rated) (Nom)	10 W
Lamp Current (Nom)	100 mA
Wattage Equivalent	60 W
Starting Time (Nom)	0.5 s
Warm Up Time to 60% Light (Nom)	0.5 s

Power Factor (Nom)	0.9
Voltage (Nom)	120 V
Temperature	
T-Case Maximum (Nom)	85 °C
Controls and Dimming	
Dimmable	Yes
Mechanical and Housing	
Bulb Finish	Frosted
Approval and Application	
Suitable For Accent Lighting	No
Product Data	
Order product name	BC10A19/AMB/927/DIM 120V
EAN/UPC - Product	046677465186
Order code	465187
Numerator - Quantity Per Pack	1
Numerator - Packs per outer box	4
Material Nr. (12NC)	929001263303
Net Weight (Piece)	0.130 kg

# LED A19-A21

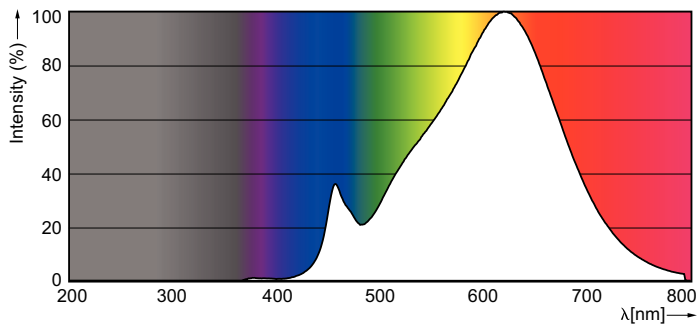
## Dimensional drawing



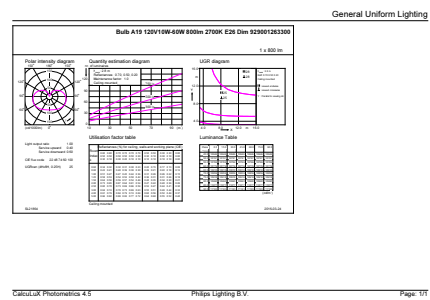
Bulb A19 120V 800lm 300D 2700K E26 D

Product	D	C
BC10A19/AMB/927/DIM 120V	61.4 mm	109.8 mm

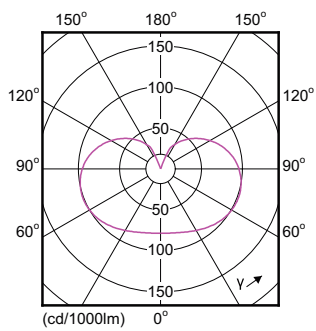
## Photometric data



LEDbulb 10-60W E26 A19 927



LEDbulb 10-60W E26 A19 927



LEDbulb 10-60W E26 A19 927

