



MASTERColor CDM-Rm Elite Mini

MASTERColor CDM-Rm Elite Mini 20W/830 GX10 MR16 25D

The Elite family is at the very top of the MasterColor CDM range, and gives a unique combination of unbeatable light quality and consistent performance over lifetime, while keeping running costs low. The MasterColor DCM Elite MR16 combines the familiar compact shape of MR16 halogen lamps with the performance of ceramic metal halide MasterColor Elite lamps. Suited for accent/decorative lighting, general lighting and downlighting in retail applications; or for outdoor landscaping and architectural effects.

Warnings and Safety

- R "WARNING: These lamps can cause serious skin burn and eye inflammation from short wave ultraviolet radiation if outer envelope of the lamp is broken or punctured. Do not use where people will remain for more than a few minutes unless adequate shielding or other safety precautions are used. Certain lamps that will automatically extinguish when the outer envelope is broken or punctured are commercially available." This lamp complies with FDA radiation performance standard 21 CFR subchapter J. (USA:21 CFR 1040.30 Canada: SOR/DORS/80-381)
- Lamp contains mercury.
- Manage in Accord with Disposal Laws.
- See: www.lamprecycle.org or 1-800-555-0050

Product data

General information		ANSI Code HID	
Base	GX10 [GX10]	C156/O	
Operating Position	Universal [Universal]	Switching Cycle	
Life to 5% Failures (Nom)	9000 h	1350X	
Life To 10% Failures (Nom)	10000 h	Light technical	
Life to 20% Failures (Nom)	12000 h	Color Code	830 [CCT of 3000K]
Life to 50% Failures (Nom)	15000 h	Beam Angle (Nom)	25 °
		Beam Angle Technical (Nom)	22 °

MASTERCOLOR CDM-Rm Elite Mini

Beam Angle Technical (Max)	27.5 °
Beam Angle Technical (Min)	16.5 °
Luminous Flux (Rated) (Min)	900 lm
Luminous Flux (Rated) (Nom)	1000 lm
Luminous Intensity (Min)	3100 cd
Luminous Intensity (Nom)	4000 cd
Beam Description	-
Lumen Maintenance 12000 h (Nom)	75 %
Lumen Maintenance 2000 h (Nom)	90 %
Lumen Maintenance 4000 h (Nom)	85 %
Chromaticity Coordinate X (Nom)	0.439
Chromaticity Coordinate Y (Nom)	0.403
Correlated Color Temperature (Nom)	3000 K
Luminous Efficacy (rated) (Nom)	50 lm/W
Color Rendering Index (Min)	81
Color Rendering Index (Nom)	84
LLMF At End Of Nominal Lifetime (Nom)	70 %
Luminous Flux in 90° Cone (Rated)	900 lm

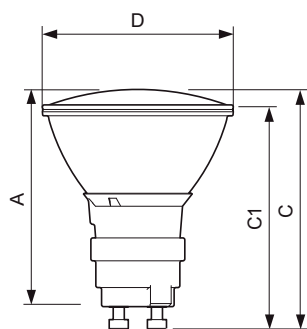
Operating and electrical

Power (Rated) (Nom)	20.1 W
Re-Ignition Time (Min) (Max)	15 min
Warm Up Time to 60% Light (Nom)	120 s
Ignition Time (Max)	30 s
Voltage (Max)	100 V
Voltage (Min)	90 V
Voltage (Nom)	95 V

Controls and dimming

Dimmable	No
----------	----

Dimensional drawing



MASTERColor CDM-Rm Elite Mini 20W/830 GX10 MR16 25D

Run-Up Time 90% (Max)	3 min
-----------------------	-------

Mechanical and housing

Bulb Shape	MR16 [2inch/50mm]
------------	--------------------

Approval and application

Mercury (Hg) Content (Nom)	3.5 mg
Energy Consumption kWh/1000 h	22 kWh

UV

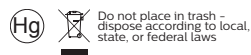
Pet (Niosh) (Min)	8 h/500lx
Damage Factor D/fc (Max)	0.4

Luminaire design requirements

Reflector Neck Temperature (Max)	419 °F
----------------------------------	--------

Product data

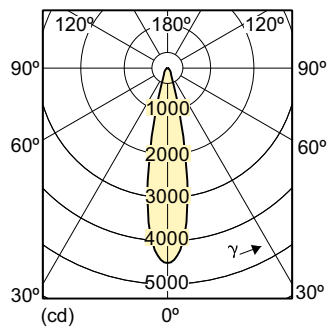
Order product name	MASTERCOLOR CDM-Rm Elite Mini 20W/830 GX10 MR16 25D
EAN/UPC - Product	046677421663
Order code	421669
Numerator - Quantity Per Pack	1
Numerator - Packs per outer box	12
Material Nr. (12NC)	928191105315
Copy Net Weight (Piece)	0.104 lb
ILCOS Code	MRS/UB-20/830-H-GX10-51/54.5/25



Product	D (max)	D	C (max)	C	C1 (max)	A (max)
MASTERCOLOR CDM-Rm Elite Mini 20W/830	51 mm	50 mm	65.4 mm	62.75 mm	60.9 mm	59 mm
GX10 MR16 25D						

MASTERCOLOR CDM-Rm Elite Mini

Photometric data



LDLD_CDM-Rm_20W_25D_0003-Light distribution diagram

Lifetime



MASTERCOLOR CDM-Rm Elite Mini

