



MASTERColor CDM-Rm Elite Mini

MASTERColor CDM-Rm Elite Mini 20W/830 GX10 MR16 10D

The Elite family is at the very top of the MasterColor CDM range, and gives a unique combination of unbeatable light quality and consistent performance over lifetime, while keeping running costs low. The MasterColor DCM Elite MR16 combines the familiar compact shape of MR16 halogen lamps with the performance of ceramic metal halide MasterColor Elite lamps. Suited for accent/decorative lighting, general lighting and downlighting in retail applications; or for outdoor landscaping and architectural effects.

Warnings and Safety

- R "WARNING: These lamps can cause serious skin burn and eye inflammation from short wave ultraviolet radiation if outer envelope of the lamp is broken or punctured. Do not use where people will remain for more than a few minutes unless adequate shielding or other safety precautions are used. Certain lamps that will automatically extinguish when the outer envelope is broken or punctured are commercially available." This lamp complies with FDA radiation performance standard 21 CFR subchapter J. (USA:21 CFR 1040.30 Canada: SOR/DORS/80-381)
- Lamp contains mercury.
- Manage in Accord with Disposal Laws.
- See: www.lamprecycle.org or 1-800-555-0050

Product data

| General information | | ANSI Code HID | |
|----------------------------|------------------------|----------------------------|---------------------|
| Base | GX10 [GX10] | ANSI Code HID | C156/O |
| Operating Position | Universal [Universal] | Switching Cycle | 1350X |
| Life to 5% Failures (Nom) | 9000 h | Light technical | |
| Life To 10% Failures (Nom) | 10000 h | Color Code | 830 [CCT of 3000K] |
| Life to 20% Failures (Nom) | 12000 h | Beam Angle (Nom) | 10 ° |
| Life to 50% Failures (Nom) | 15000 h | Beam Angle Technical (Nom) | 9 ° |

MASTERCOLOR CDM-Rm Elite Mini

| | |
|---------------------------------------|----------|
| Beam Angle Technical (Max) | 11 ° |
| Beam Angle Technical (Min) | 7 ° |
| Luminous Flux (Rated) (Min) | 900 lm |
| Luminous Flux (Rated) (Nom) | 980 lm |
| Luminous Intensity (Min) | 10900 cd |
| Luminous Intensity (Nom) | 14500 cd |
| Beam Description | - |
| Lumen Maintenance 12000 h (Nom) | 75 % |
| Lumen Maintenance 2000 h (Nom) | 90 % |
| Lumen Maintenance 4000 h (Nom) | 85 % |
| Chromaticity Coordinate X (Nom) | 0.439 |
| Chromaticity Coordinate Y (Nom) | 0.403 |
| Correlated Color Temperature (Nom) | 3000 K |
| Luminous Efficacy (rated) (Nom) | 49 lm/W |
| Color Rendering Index (Min) | 81 |
| Color Rendering Index (Nom) | 84 |
| LLMF At End Of Nominal Lifetime (Nom) | 70 % |
| Luminous Flux in 90° Cone (Rated) | 880 lm |

Operating and electrical

| | |
|---------------------------------|--------|
| Power (Rated) (Nom) | 20.1 W |
| Re-Ignition Time (Min) (Max) | 15 min |
| Warm Up Time to 60% Light (Nom) | 120 s |
| Ignition Time (Max) | 30 s |
| Voltage (Max) | 100 V |
| Voltage (Min) | 90 V |
| Voltage (Nom) | 95 V |

Controls and dimming

| | |
|----------|----|
| Dimmable | No |
|----------|----|

| | |
|-----------------------|-------|
| Run-Up Time 90% (Max) | 3 min |
|-----------------------|-------|

Mechanical and housing

| | |
|------------|--------------------|
| Bulb Shape | MR16 [2inch/50mm] |
|------------|--------------------|

Approval and application

| | |
|-------------------------------|--------|
| Mercury (Hg) Content (Nom) | 3.5 mg |
| Energy Consumption kWh/1000 h | 22 kWh |

UV

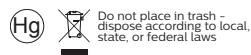
| | |
|--------------------------|-----------|
| Pet (Niosh) (Min) | 8 h/500lx |
| Damage Factor D/fc (Max) | 0.4 |

Luminaire design requirements

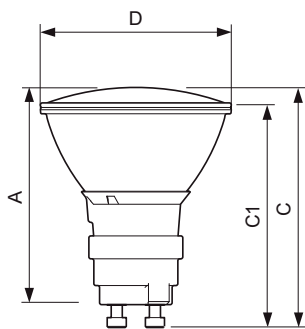
| | |
|----------------------------------|--------|
| Reflector Neck Temperature (Max) | 419 °F |
|----------------------------------|--------|

Product data

| | |
|---------------------------------|---|
| Order product name | MASTERCOLOR CDM-Rm Elite Mini 20W/830 GX10 MR16 10D |
| EAN/UPC - Product | 046677421656 |
| Order code | 421651 |
| Numerator - Quantity Per Pack | 1 |
| Numerator - Packs per outer box | 12 |
| Material Nr. (12NC) | 928191005315 |
| Copy Net Weight (Piece) | 0.104 lb |
| ILCOS Code | MRS/UB-20/830-H-GX10-51/54.5/10 |



Dimensional drawing

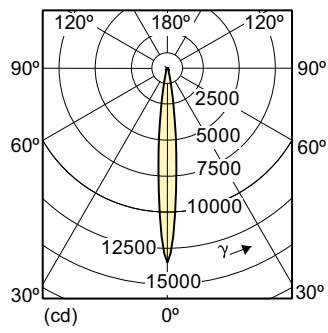


MASTERCOLOR CDM-Rm Elite Mini 20W/830 GX10 MR16 10D

| Product | D (max) | D | C (max) | C | C1 (max) | A (max) |
|---|-----------|------|----------|----------|-----------|----------|
| MASTERCOLOR CDM-Rm Elite Mini 20W/830 GX10 MR16 10D | 2-1/16 in | 2 in | 2-5/8 in | 2-1/2 in | 2-7/16 in | 2-3/8 in |

MASTERCOLOR CDM-Rm Elite Mini

Photometric data



Lifetime



MASTERCOLOR CDM-Rm Elite Mini

