



CosmoPolis CosmoWhite

CPO-TW 140W/728 White PGZ12

Philips Cosmopolis Outdoor Lighting System simplifies outdoor lighting with the combination of a miniature lamp and an optimized electronic ballast system.

Warnings and Safety

- R "WARNING: These lamps can cause serious skin burn and eye inflammation from short wave ultraviolet radiation if outer envelope of the lamp is broken or punctured. Do not use where people will remain for more than a few minutes unless adequate shielding or other safety precautions are used. Certain lamps that will automatically extinguish when the outer envelope is broken or punctured are commercially available." This lamp complies with FDA radiation performance standard 21 CFR subchapter J. (USA:21 CFR 1040.30 Canada: SOR/DORS/80-381)
- Lamp contains mercury. Manage in Accord with Disposal Laws. See: www.lamprecycle.org or 1-800-555-0050

Product data

General Information	
Base	PGZ12 [PGZ12]
Operating Position	Universal [Universal]
Life to 5% Failures (Nom)	18000 h
Life To 10% Failures (Nom)	20000 h
Life to 20% Failures (Nom)	24000 h
Life to 50% Failures (Nom)	30000 h
ANSI Code HID	C189/E
LSF 2000 h Rated	99 %
LSF 4000 h Rated	99 %
LSF 6000 h Rated	99 %
LSF 8000 h Rated	99 %
LSF 12000 h Rated	99 %
LSF 16000 h Rated	97 %
LSF 20000 h Rated	90 %

LSF 24000 h Rated	80 %
LSF 30000 h Rated	50 %
Light Technical	
Color Code	728 [CCT of 2800K]
Luminous Flux (Rated) (Nom)	17600 lm
Color Designation	White (WH)
Chromaticity Coordinate X (Nom)	440
Chromaticity Coordinate Y (Nom)	413
Luminous Efficacy (rated) (Nom)	125 lm/W
Color Rendering Index (Nom)	72
LLMF 2000 h Rated	94 %
LLMF 4000 h Rated	93 %
LLMF 6000 h Rated	92 %
LLMF 8000 h Rated	91 %

CosmoPolis CosmoWhite

LLMF 12000 h Rated	89 %
LLMF 16000 h Rated	88 %
LLMF 20000 h Rated	87 %
LLMF 24000 h Rated	86 %
Ratio Scotopic/Photopic Lumens	1.30

Operating and Electrical

Power (Rated) (Nom)	141.0 W
Ignition Peak Voltage (Max)	5000 V
Re-Ignition Time (Min) (Max)	900 s
Ignition Time (Max)	30 s
Voltage (Max)	100 V
Voltage (Min)	88 V
Voltage (Nom)	94 V

Controls and Dimming

Dimmable	Yes
Run-Up Time 90% (Max)	4 min

Mechanical and Housing

Bulb Finish	Clear
Bulb Shape	T6 [Diameter: 6/8 inch/19 mm]

Approval and Application

Mercury (Hg) Content (Nom)	3.9 mg
----------------------------	--------

Energy Consumption kWh/1000 h	154 kWh
-------------------------------	---------

UV

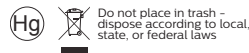
Pet (Niosh) (Min)	8 h/500lx
Damage Factor D/fc (Nom)	0.14

Luminaire Design Requirements

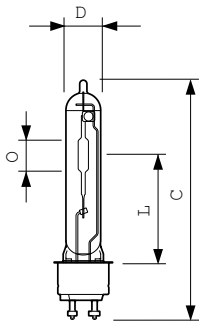
Bulb Temperature (Max)	550 °C
Cap-Base Temperature (Max)	300 °C

Product Data

Order product name	CPO-TW 140W/728 White PGZ12
EAN/UPC - Product	046677157326
Order code	157321
Numerator - Quantity Per Pack	1
Numerator - Packs per outer box	12
Material Nr. (12NC)	928088805105
Net Weight (Piece)	0.040 kg
ILCOS Code	MT-140/728-H-PGZ12-20/150



Dimensional drawing

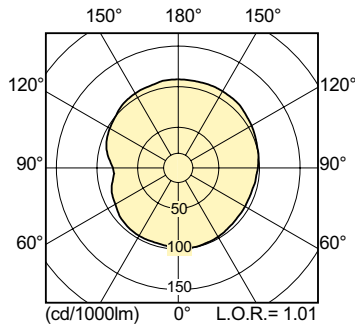


CPO-TW Xtra 140W/728 PGZ12

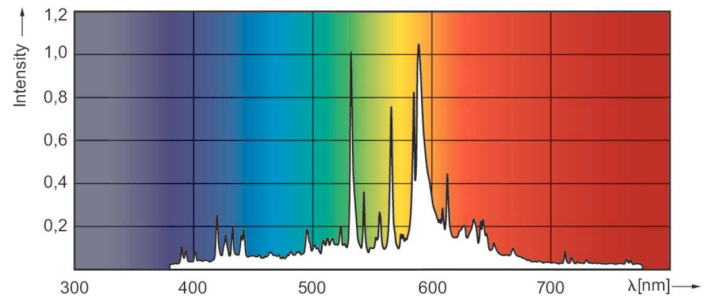
Product	D (max)	D	O	L	C (max)
CPO-TW 140W/728 White PGZ12	20 mm	19 mm	22 mm	66 mm	150 mm

CosmoPolis CosmoWhite

Photometric data

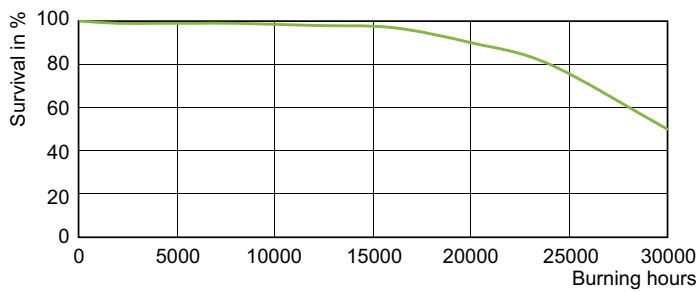


LDLD_CPO-TW_0005-Light distribution diagram

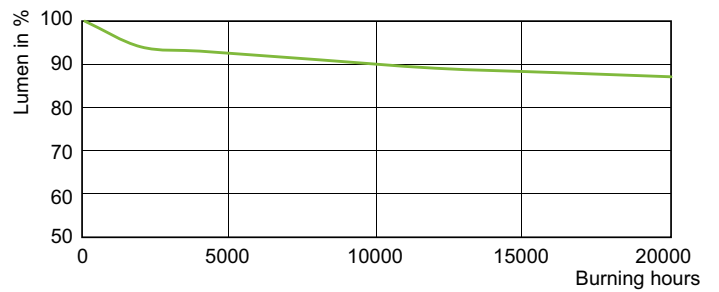


LDPO_CPO-TW_Xtra_140W_728-Spectral power distribution Colour

Lifetime



LDLE_CPO-TW_0003-Life expectancy diagram



LDLM_CPO-TW_0006-Lumen maintenance diagram

