

PHILIPS

Lighting



PAR38

PAR38 80W E27 230V PAR38 FL 30D 1CT/12

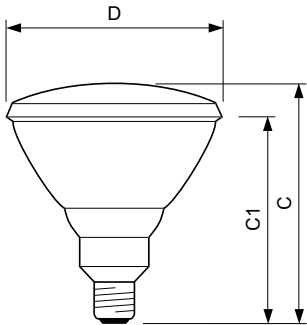
Pressed-glass 121 mm diameter reflector lamps of high luminous intensity

Product data

General Information		Voltage (Nom)	
Base	E27 [E27]	230 V	
Operating Position	Universal [Universal]	Controls and Dimming	
Nominal Lifetime (Nom)	2000 h	Dimmable	Yes
Switching Cycle	8000X	Mechanical and Housing	
Rated Lifetime (Hours)	2000 h	Bulb Shape	PAR38 [PAR 4.75 inch/121mm]
Light Technical		Approval and Application	
Beam Angle (Nom)	30 °	Energy Consumption kWh/1000 h	80 kWh
Luminous Flux (Rated) (Nom)	670 lm	Product Data	
Luminous Intensity (Max)	1800 cd	Order product name	PAR38 80W E27 230V PAR38 FL 30D 1CT/12
Beam Description	Flood [Flood]	EAN/UPC - Product	8711500900036
Rated Beam Angle	30 °	Order code	250613
Correlated Color Temperature (Nom)	2700 K	Numerator - Quantity Per Pack	1
Color Rendering Index (Nom)	100	Numerator - Packs per outer box	12
Luminous Flux in 90° Cone (Rated)	670 lm	Material Nr. (12NC)	923810544296
Operating and Electrical		Net Weight (Piece)	319.000 g
Power (Rated) (Nom)	80.0 W	ILCOS Code	IPAR-80-230-E27-121/30
Starting Time (Nom)	0.0 s		
Warm Up Time to 60% Light (Nom)	instant full light		
Power Factor (Nom)	1		

PAR38

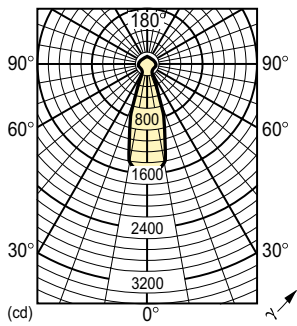
Dimensional drawing



Product	D (max)	C (max)
PAR38 80W E27 230V PAR38 FL 30D 1CT/12	123 mm	137 mm

PAR38 80W E27 230V FL

Photometric data



LDLD_IPAR38-E_80W_FL-Light distribution diagram

