



# Dynalite Sensors

## DUS30CS

Wall/ceiling mount 30° multifunction sensor

Wall/ceiling mount 30° multifunction sensor

### Product data

General information	
CE mark	CE mark
Type description - long text	Wall/ceiling mount 30° multifunction sensor
Remarks	Please download the Lighting - Product Data Sheet for more information and ordering options
EU RoHS compliant	Yes

Approval and application	
Ingress protection code	IP54/20 [ Dust accumulation protected, splash-proof/finger protected]
IP Classification	IP 54 [ Ingress Protection 54]
UL Recognized	Yes

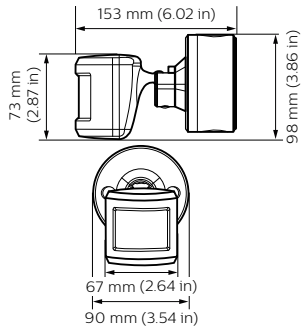
  

Application conditions	
Ambient temperature range	-4 to +113 °F

Product data	
Order product name	DUS30CS
EAN/UPC - Product	8718696888087
Order code	913703244309
Local order code	.
Numerator - Quantity Per Pack	1
Numerator - Packs per outer box	1
Material Nr. (12NC)	913703244309
Net Weight (Piece)	0.472 lb

# Dynalite Sensors

## Dimensional drawing



DUS30CS

