



Philips most advanced LED replacements for compact fluorescent 2-pin PL-S lamps

PL-S

Philips LED PL-S lamps make the transition to LED from CFL lamps as simple as replacing a lamp. The InstantFit (UL Type A) 2-pin PL-S LED lamps are available in a wide array of color temperatures. They quickly and effectively replace 13W 2-pin compact fluorescent PL-S lamps.

Benefits

- Minimizes overall lighting costs
- Offers cheapest and easiest upgrade to LED lighting technology
- Excellent compatibility with existing fluorescent ballasts

Features

- High energy efficiency, over 40% energy savings
- Long lifetime
- Easy plug-and-play installation. Retrofit replacement of existing CFL-ni lamps
- Conventional form factor fits into existing luminaires
- Durable polycarbonate construction

Application

- Residential and multi-family complexes
- Retail and hospitality

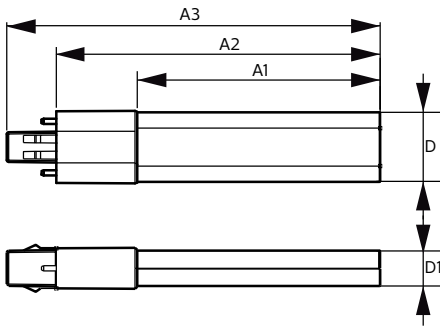
PL-S

Versions



LEDtube GX23

Dimensional drawing



Product	D	D1	A1	A2	A3
5PL-S/LED/13H/835/IF5/P/2P 20/1	1-1/4 in	5/8 in	4-1/4 in	5-11/16 in	6-9/16 in
5PL-S/LED/13H/840/IF5/P/2P 20/1	1-1/4 in	5/8 in	4-1/4 in	5-11/16 in	6-9/16 in
5PL-S/LED/13H/827/IF5/P/2P 20/1	1-1/4 in	5/8 in	4-1/4 in	5-11/16 in	6-9/16 in
5PL-S/LED/13H/830/IF5/P/2P 20/1	1-1/4 in	5/8 in	4-1/4 in	5-11/16 in	6-9/16 in

Approval and application

Energy Consumption kWh/1000 h - kWh

Controls and dimming

Dimmable No

Operating and electrical

Input Frequency 50 to 60 Hz

Voltage (Nom) 120-277 V

Wattage Equivalent 13 W

Power (Nom) 5 W

Starting Time (Nom) 0.5 s

General information

Cap-Base GX23

Nominal Lifetime (Nom) 50000 h

Switching Cycle 50000

Light technical

Beam Angle (Nom) 120 °

Color Rendering Index (Nom) 82

Llmf At End Of Nominal Lifetime (Nom) 70 %

Mechanical and housing

Bulb Finish Frosted

Bulb Shape Tube, single-ended

Temperature

T-Ambient (Max) 113 °F

T-Ambient (Min) -4 °F

T-Case Maximum (Nom) 167 °F

T-Storage (Max) 149 °F

T-Storage (Min) -40 °F

Light technical

Order Code	Full Product Name	Color Code	Correlated Color		Luminous Flux
			Temperature (Nom)	(Nom)	
529511	5PL-S/LED/13H/827/IF5/P/2P 20/1	827	2700 K		520 lm
529560	5PL-S/LED/13H/830/IF5/P/2P 20/1	830	3000 K		540 lm
529578	5PL-S/LED/13H/835/IF5/P/2P 20/1	835	3500 K		560 lm
529586	5PL-S/LED/13H/840/IF5/P/2P 20/1	841	4000 K		580 lm

