



# The new generation of energy-saving LED PLS tube lighting

## CorePro LED PLS

The Philips CorePro LED PLS integrates a LED light source into a traditional fluorescent form factor. This product is the ideal solution for uplamping in general lighting applications: it meets basic lighting requirements, offers significant energy savings, and is environment-friendly.

### Benefits

- Reduced operational cost thanks to lower energy consumption
- Lower maintenance cost thanks to 2-3 times longer lifetime than conventional lamps
- Fastest and easiest way to upgrade existing luminaires to LED technology; completely safe product and installation process

### Features

- Highly energy-efficient
- Easy installation
- Conventional form factor to fit into existing luminaires
- No mercury

### Application

- Hospitality, retail, office, industrial and home applications

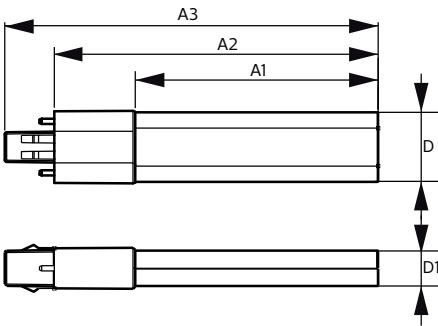
# CorePro LED PLS

## Versions



LEDtube G23

## Dimensional drawing



Product	D	D1	A1	A2	A3
CorePro LED PLS 5W 840 2P G23	1-1/4 in	5/8 in	4-1/4 in	5-11/16 in	6-9/16 in

