



Product Description

PAR38

Pressed-glass 121 mm diameter reflector lamps of high luminous intensity

Benefits

- Produces the same useful light as conventional PAR lamps at 20% lower energy

Features

- Spot versions have a stippled front reflector producing a narrow, homogeneous beam
- Flood versions have a front refractor composed of prismatic elements

Application

- Can be used indoors and outdoors, or wherever blown-bulb reflector lamps would be too vulnerable
- Indoors: shops, window displays, homes, hotels, restaurants, theatres, museums, exhibitions and buildings
- Outdoors: floodlighting, advertising signs, buildings, statues, podiums, sports grounds, parks and gardens
- Can be installed outdoors without any protection, provided they are used in a watertight lampholder
- For outdoor use, a heat-resistant rubber ring must be fitted between the lamp and the lampholder

PAR38

Versions

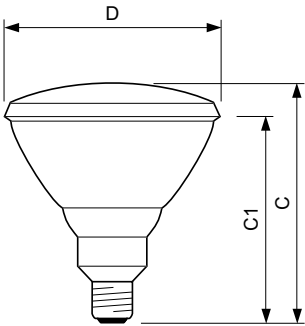


PAR38 E27 SP



PAR38 E27 FL

Dimensional drawing



Product	D (max)	C (max)	
PAR38 80W E27 230V PAR38 FL 30D 1CT/12	123 mm	137 mm	
PAR38 120W E27 24V SP 10D 1CT/12	123 mm	137 mm	123 mm

Controls and Dimming

Dimmable	Yes
----------	-----

Operating and Electrical

Starting Time (Nom)	0.0 s
Warm Up Time To 60% Light (Nom)	instant full light

General Information

Cap-Base	E27
Nominal Lifetime (Nom)	2000 h
Operating Position	Universal
Rated Lifetime (Hours)	2000 h
Switching Cycle	8000X

Light Technical

Correlated Color Temperature (Nom)	2700 K
Color Rendering Index (Nom)	100

Mechanical and Housing

Bulb Shape	PAR38
------------	-------

Approval and Application

Order Code	Full Product Name	Energy Consumption kWh/1000 h
250605	PAR38 120W E27 24V SP 10D 1CT/12	127 kWh
250613	PAR38 80W E27 230V PAR38 FL 30D 1CT/12	80 kWh

Operating and Electrical

PAR38

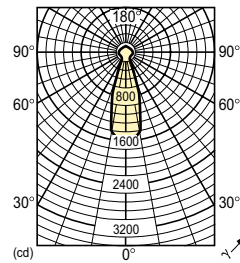
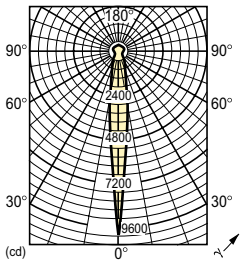
Order Code	Full Product Name	Voltage (Nom)	Power (Rated)
			(Nom)
250605	PAR38 120W E27 24V SP 10D 1CT/12	24 V	120.0 W
250613	PAR38 80W E27 230V PAR38 FL 30D 1CT/12	230 V	80.0 W

Light Technical (1/2)

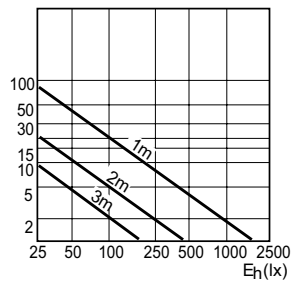
Order Code	Full Product Name	Beam	Luminous Flux (Rated) (Nom)	Luminous Intensity (Max)
		Angle (Nom)		
250605	PAR38 120W E27 24V SP 10D 1CT/12	10 °	1545 lm	23000 cd
250613	PAR38 80W E27 230V PAR38 FL 30D 1CT/12	30 °	670 lm	1800 cd

Light Technical (2/2)

Order Code	Full Product Name	Rated Beam Angle
250605	PAR38 120W E27 24V SP 10D 1CT/12	10 °
250613	PAR38 80W E27 230V PAR38 FL 30D 1CT/12	30 °



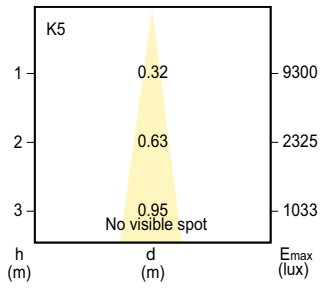
Accent Diagrams



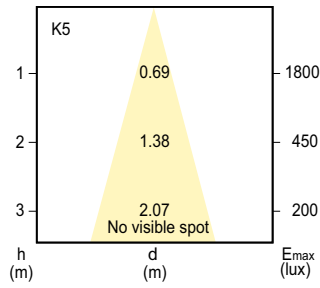
LDAC_IPAR38-E_80W_FL-Accent diagram

PAR38

Beam Diagrams



LDBE_IPAR38-E_120W_SP-Beam diagram



LDBE_IPAR38-E_80W_FL-Beam diagram

